

PHOENIX

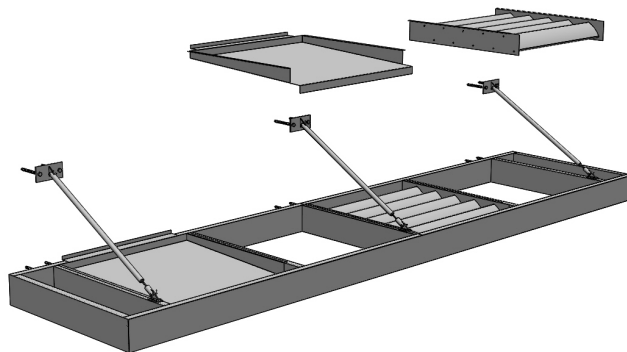
TRELLIS SYSTEM

Installation Instructions

Description:

This document provides the details needed to install AWNEX's Phoenix canopy. AWNEX identifies the respective fasteners and tools required to complete the installation.

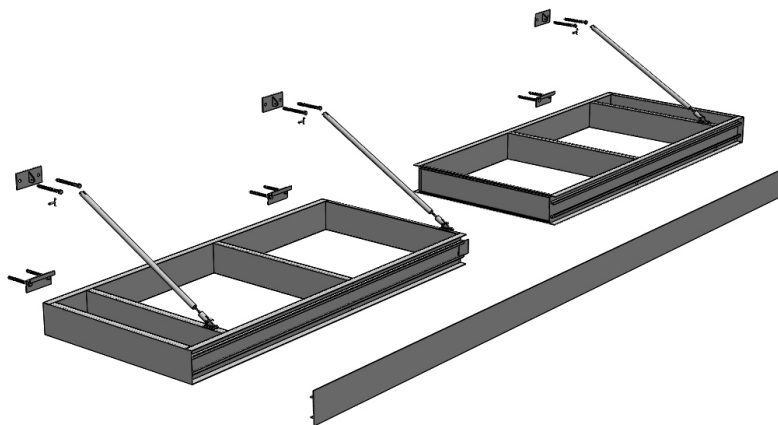
Isometric View:



Tool List:

- Extension Cord, $\geq 50'$
- 4' Level
- Skill Saw
- Assorted Wrenches
- Caulk Gun
- Hand Drill
- 3/8" # 5/16" Nut Drivers
- Assorted Pliers, Cutters, & Files
- Assorted Screw Drivers
- 30' Tape Measure
- Hand Shears
- Metal Flat Bill Clamps
- Framing Square
- Ladder

Exploded View:



Contact:

Sales@awnexinc.com 770-704-7140
260 Valley Street, Suite 100, Ball Ground, GA 30107

www.awnexinc.com



PHOENIX

TRELLIS SYSTEM

Installation Instructions

Installation Instructions: (Refer to architectural plans for elevation and placement)

1. Mount upper clevis brackets & hanging brackets using specified fasteners. See Fig. 1
2. Place back of canopy on hanging brackets while supporting front of canopy *(Pull electrical whip through access panel at this time); attach canopy to hanging bracket by inserting four (4) #14 x 2" TEK screws through the top of the canopy into the hanging bracket as shown, see Fig. 2.
3. Support front of canopy while attaching Tie-Backs. Level canopy by adjusting nuts on lower clevis bracket assembly.
4. *Attach electrical whip to power supply (provided); attach ground wire to bolt (provided).
5. *Attach access panel with #8 x 1/2" pancake screws.
6. **If installing more than one frame, install splice plates before hanging and aligning next frame.
7. ***Install Rain Pans or Louvered Sun Shades into canopy and fasten with #10 x 3/4" TEK screws.
8. Press snap cover in place on front and sides.
9. Heavily seal around canopy and brackets with supplied / approved caulk. Seal canopy and brackets on the top and sides to prevent any water infiltration into building. See Fig. 3
10. Cover any exposed fasteners with touch-up paint.

*Directions for canopies with lighting **When installing multiple frames ***When adding drop-in panels to canopy

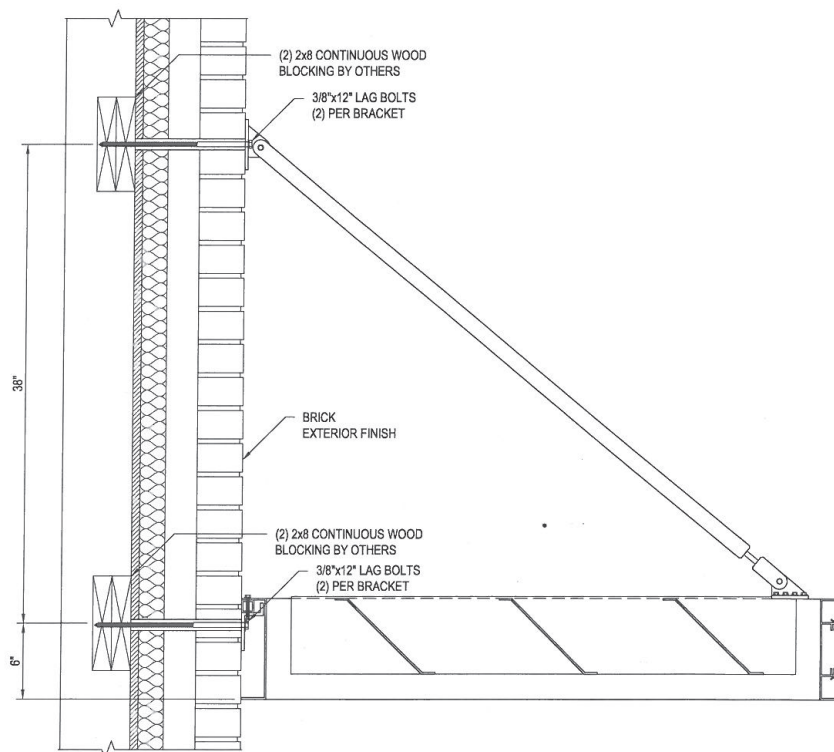


FIG 1

PHOENIX

TRELLIS SYSTEM

Installation Instructions

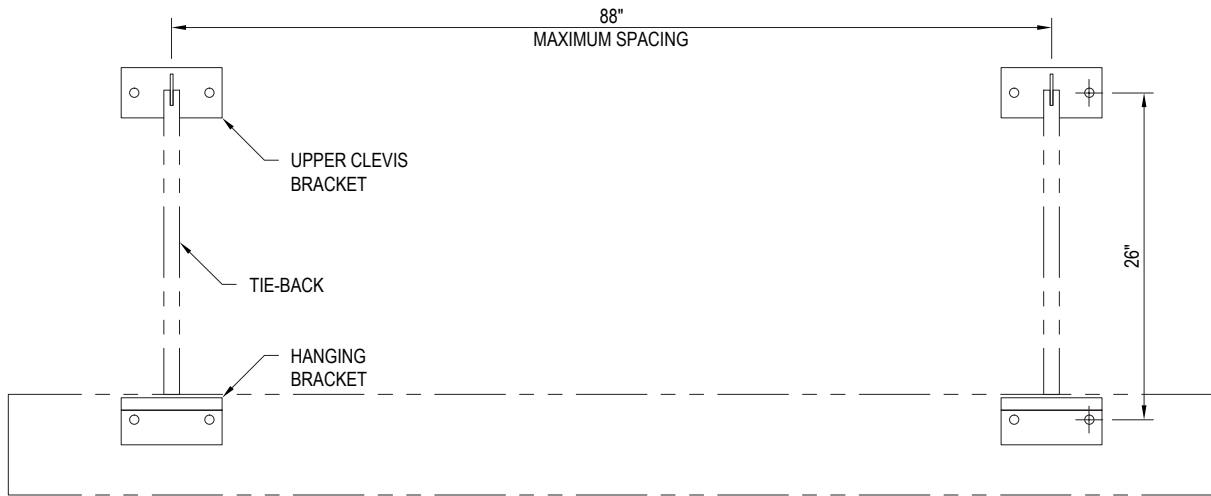


FIG 2

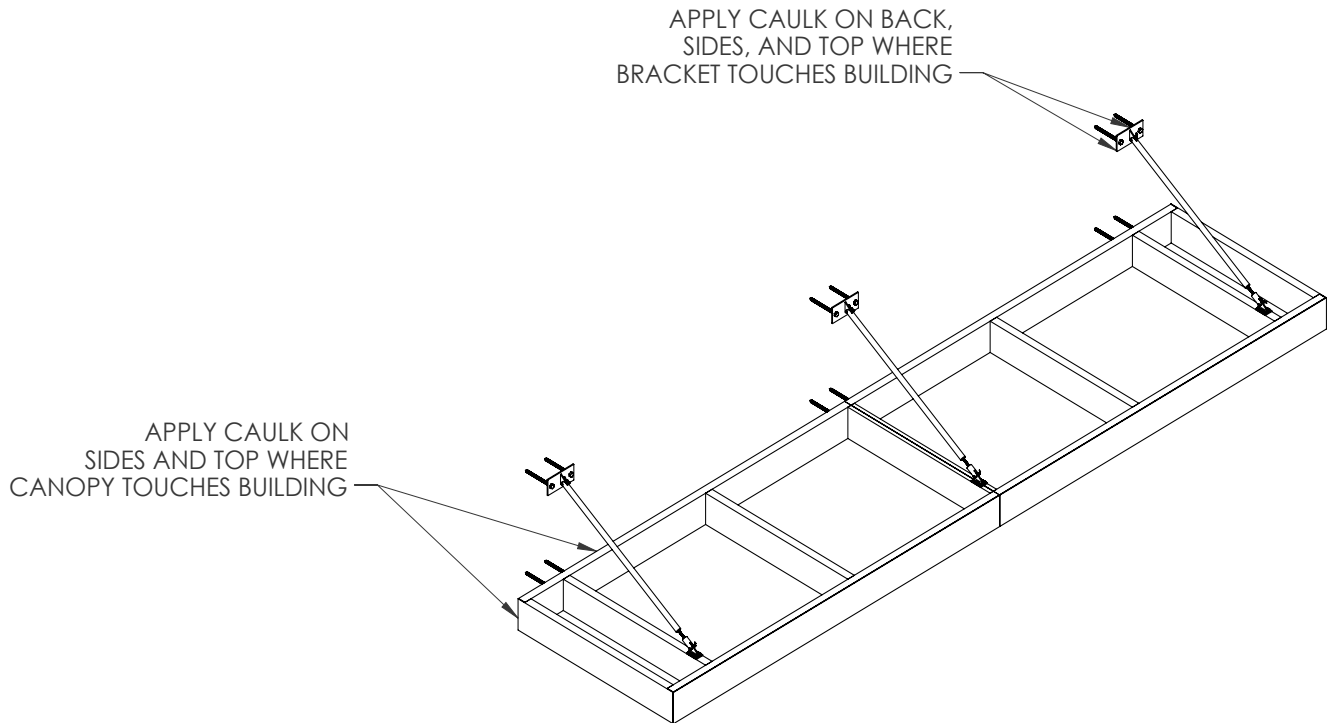


FIG 3