



USCANY

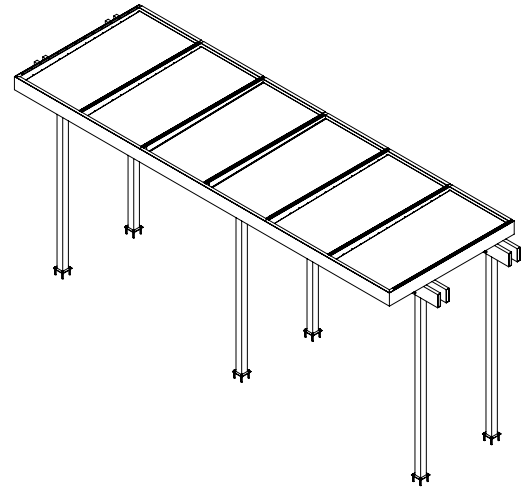
PATIO COVER SYSTEM

Description:

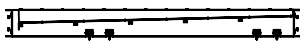
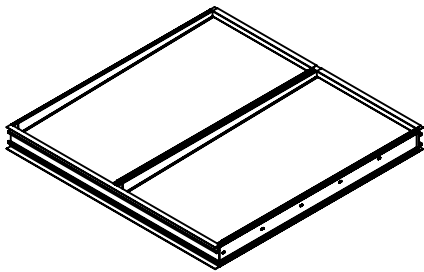
The Tuscan system provides an inviting protective covering for outdoor patio spaces. It is an open frame trellis system with post and beam supports. It can accept multiple styles of drop-in "Infill" panels that can provide either sun or rain protection. Other features include; commercial grade aluminum extrusion construction, mechanical system with hidden fasteners, many face options, integrated LED lighting options and powder coated (AAMA 2604) or Kynar (AAMA 2605) finishes.

Made in the U.S.A.

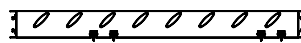
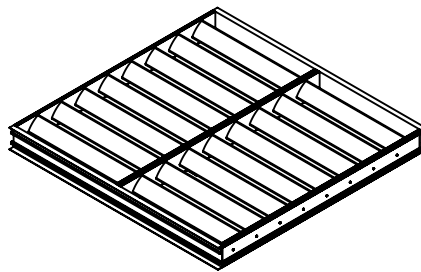
Isometric View:



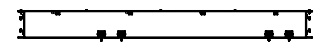
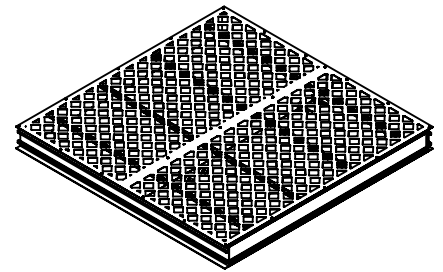
Tuscan Infill Panel Options:



Rain Pan



Sun Shade



Perforated Sheet

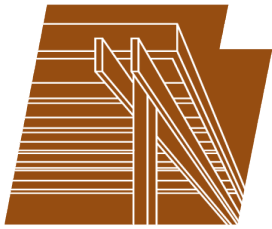
Contact:

Sales@awnexinc.com 770-704-7140

www.awnexinc.com

How to Request a Quote:

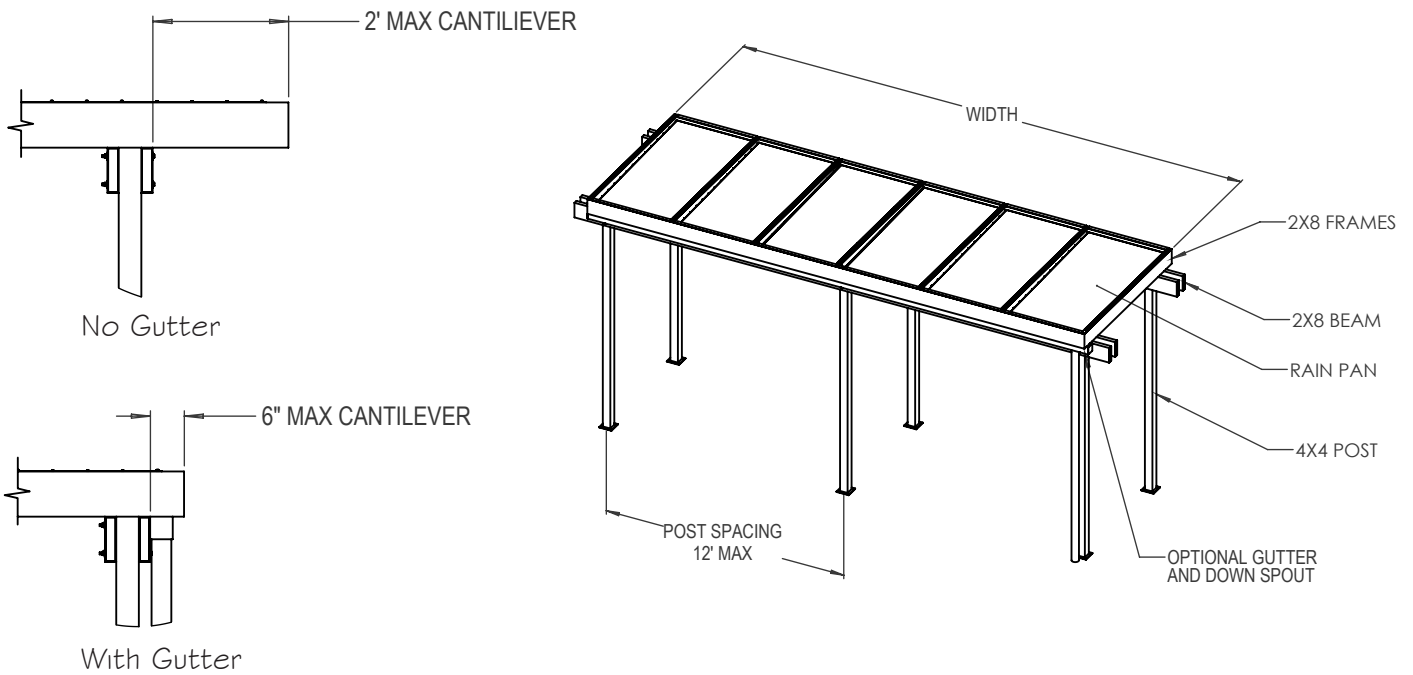
Provide AWNEX with a patio layout including dimensions and indicate all locations where patio covers are needed. Please specify the height, projection, type of infill panels, and any additional options that are desired. All quotes are returned within two business days. Please call and ask for sales, or you can email us as well.



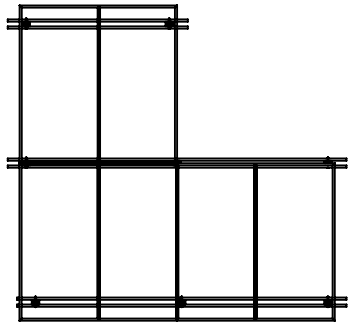
USCANY

PATIO COVER SYSTEM

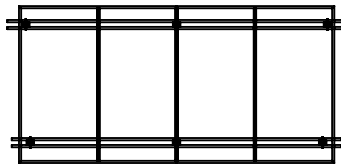
Standard Sizes:



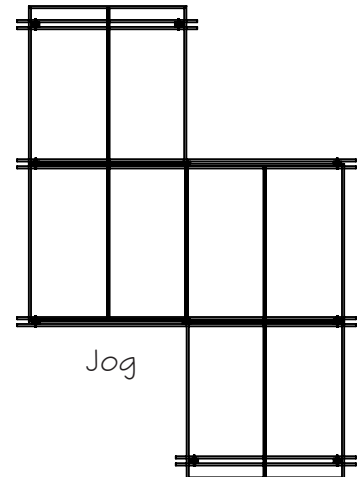
Standard Configurations:



Corner



Side by Side



Jog