

COLORADO

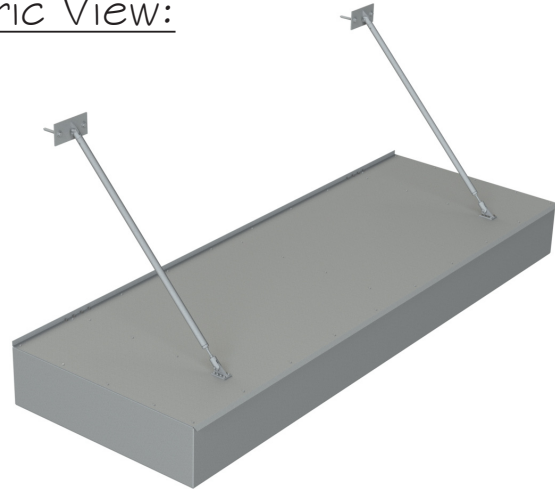
SOFFIT CANOPY SYSTEM

Description:

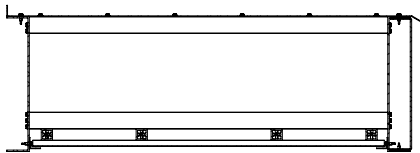
The Colorado system is intended to provide covering from sun or rain, and has a soffit paneled bottom that can accept can lights. These canopies are built from commercial grade aluminum extrusions with hidden fasteners. Choose between multiple face options, baked enamel powder coated finish (AAMA 2604) or a Kynar finishes (AAMA 2605), to accent your building and overall brand.

Made in USA.

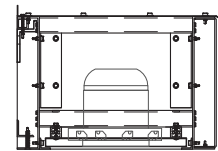
Isometric View:



Cross Section:

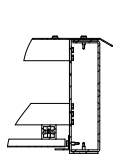


LED Can Lights:

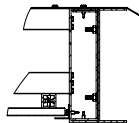


For Projections 18" +

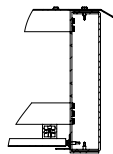
Face Options:



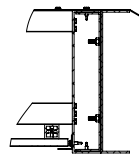
8" Flat
(Standard)



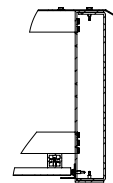
8" Open



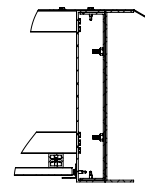
10" Flat



10" Open



12" Flat



12" Open

Contact:

Sales@awnexinc.com 770-704-7140

www.awnexinc.com

How to Request a Quote:

Provide Awnex with a building layout, including dimensions, location of the canopies, projection needed, other options and site location. All quotes returned within two business days. Or call 770-704-7140 and ask for sales.

COLORADO

SOFFIT CANOPY SYSTEM

STANDARD SIZES

- Projection: Up to 6'
- Frame Width: 48" - 176"
- Tie-Back Height: 2' - 3'
- Tie-Back Spacing: 88" Max
- Tie-Back Rod: $\varnothing 1\frac{1}{4}$ "
- Upper Clevis Bracket: 8" Wide

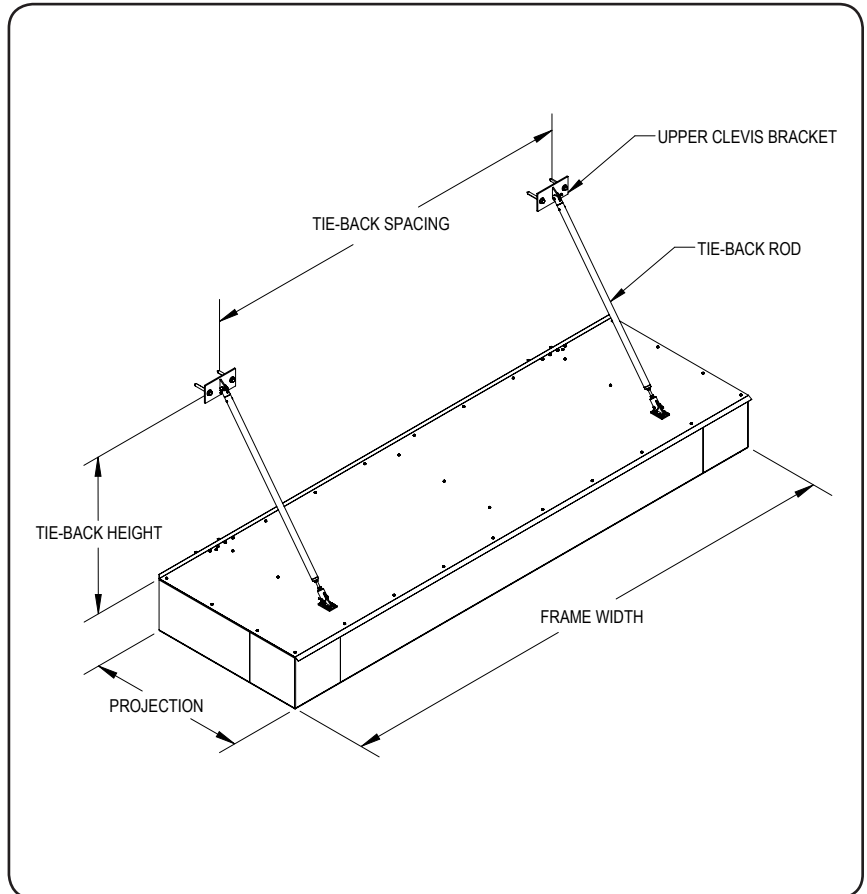
*Individual frames are shipped up to 176" wide. However they can be installed in a continuous run on your building to any length required.

CUSTOM SIZES

- Projections greater than 6' are available, but will require additional engineering, and fall outside our standard pricing models.

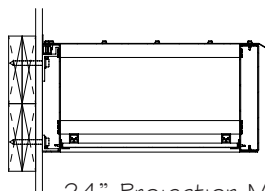
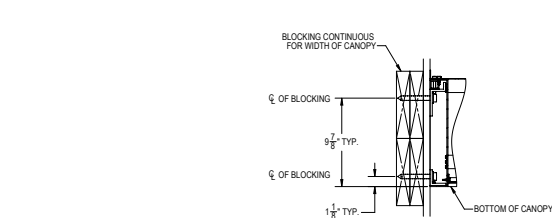
HIGH WIND / SNOW LOAD

- Tie-Back Rod: $\varnothing 1\frac{1}{2}$ "
- Upper Clevis Bracket: 10" Wide



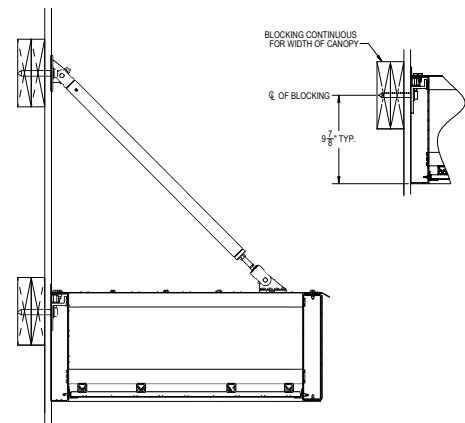
BLOCKING EXAMPLES

*Product specific blocking will be provided for construction drawings.



24" Projection Max

Blocking for Canopies without Tie-Backs



Blocking for Canopies with Tie-Backs