

CARIBBEAN

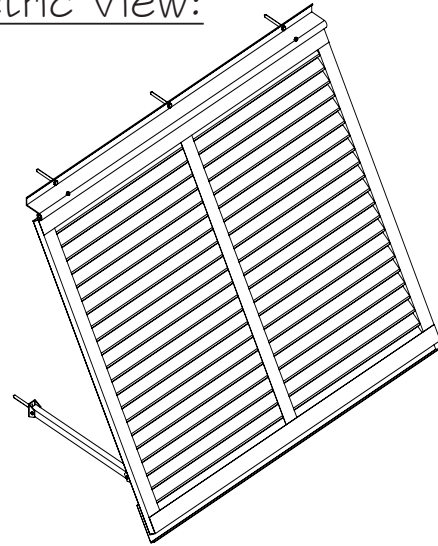
SHUTTER SYSTEM

Description:

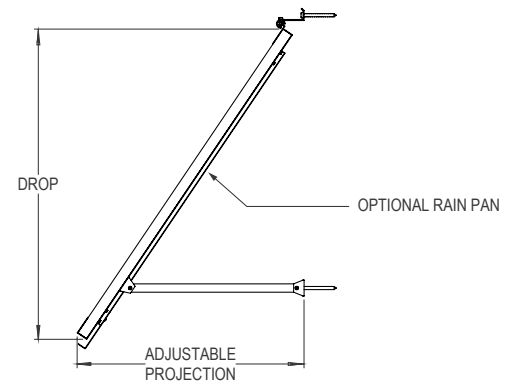
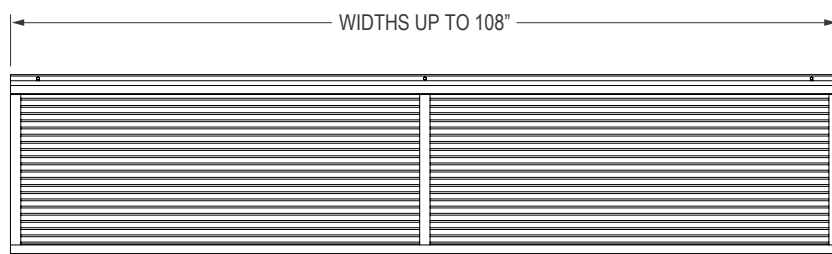
A Caribbean Shutter can take even the most mundane structure and instantly transform its look into a place of interest. These shutters provide functional shade and are often used as a branding element. Other features include; Commercial grade aluminum extrusion construction. Highly adaptable to different mounting surfaces. Powder coated (AAMA 2604) or a Kynar (AAMA 2605) finishes. Stand out from all the others with Caribbean Shutters!

Made in the U.S.A.

Isometric View:



Caribbean Details:



Contact:

Sales@awnexinc.com 770-704-7140
www.awnexinc.com

How to Request a Quote:

Provide AWNEX with a building layout that has dimensions. Indicate where you need shutters, the drop and projection that is needed. Please list all options and any additional site locations. All quotes are returned within two business days. Please call and ask for sales, or you can email us as well.