

SEATTLE

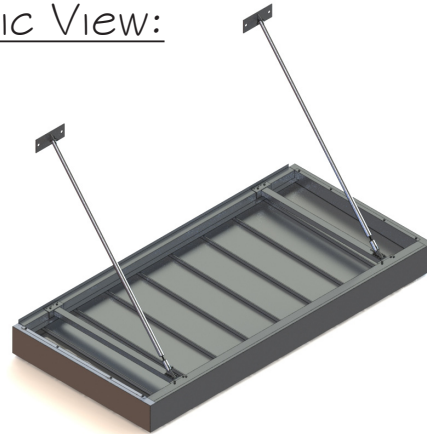
CANOPY SYSTEM

Installation Instructions

Description:

This document provides the details needed to install AWNEX's Seattle canopy. AWNEX identifies the respective fasteners and tools required to complete the installation.

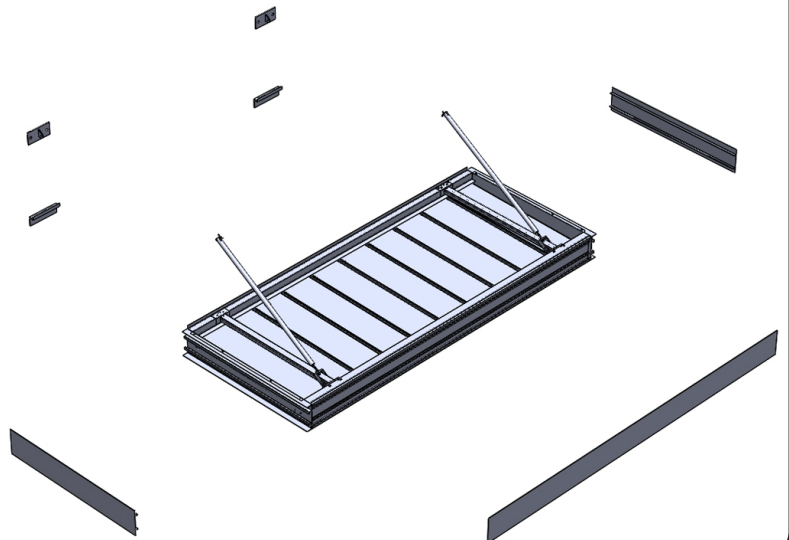
Isometric View:



Tool List:

- Extension Cord, $\geq 50'$
- 4' Level
- Skill Saw
- Assorted Wrenches
- Caulk Gun
- Hand Drill
- 3/8" \times 5/16" Nut Drivers
- Assorted Pliers, Cutters, $\&$ Files
- Assorted Screw Drivers
- 30' Tape Measure
- Hand Shears
- Metal Flat Bill Clamps
- Framing Square
- Ladder

Exploded View:



Contact:

Sales@awnexinc.com 770-704-7140
260 Valley Street, Suite 100, Ball Ground, GA 30107

www.awnexinc.com

SEATTLE

CANOPY SYSTEM

Installation Instructions

Installation Instructions: (Refer to architectural plans for elevation and placement)

1. Mount upper clevis brackets & hanging brackets using specified fasteners. See Fig. 1
2. Place back of canopy on hanging brackets while supporting front of canopy *** (Pull electrical whip through access panel at this time)**; attach canopy to hanging bracket by inserting four (4) #14 x 2" TEK screws through the top of the canopy into the hanging bracket as shown, see Fig. 2.
3. Support front of canopy while attaching Tie-Backs. Level canopy by adjusting nuts on lower clevis bracket assembly.
4. ***Attach electrical whip to power supply (provided); attach ground wire to bolt (provided).**
5. Attach access panel with #8 x 1/2" pancake screws.
6. ****If installing more than one frame, install splice plates before hanging and aligning next frame.**
7. Press snap cover in place on front and sides.
8. Heavily seal around canopy top and brackets with supplied / approved caulk. Seal canopy and brackets on the top and sides to prevent any water infiltration into building. See Fig. 3
9. Cover any exposed fasteners with touch-up paint.

Directions for canopies with lighting.** *When installing multiple frames.**

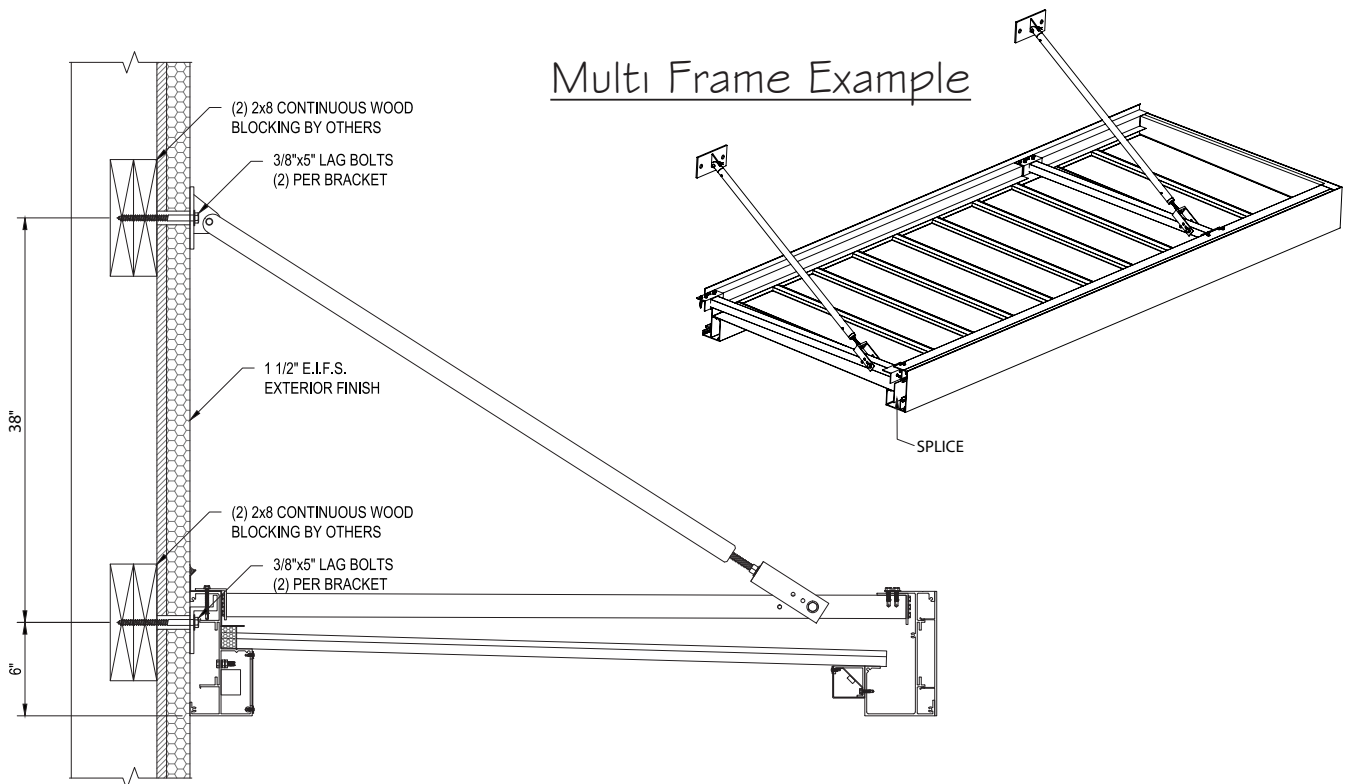


FIG 1



CANOPY SYSTEM

Installation Instructions

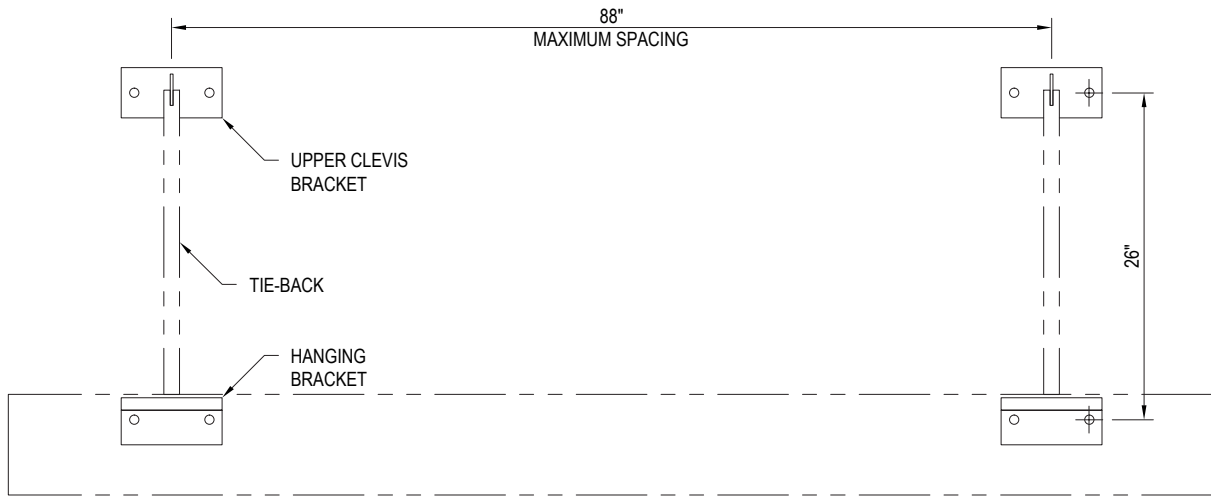


FIG 2

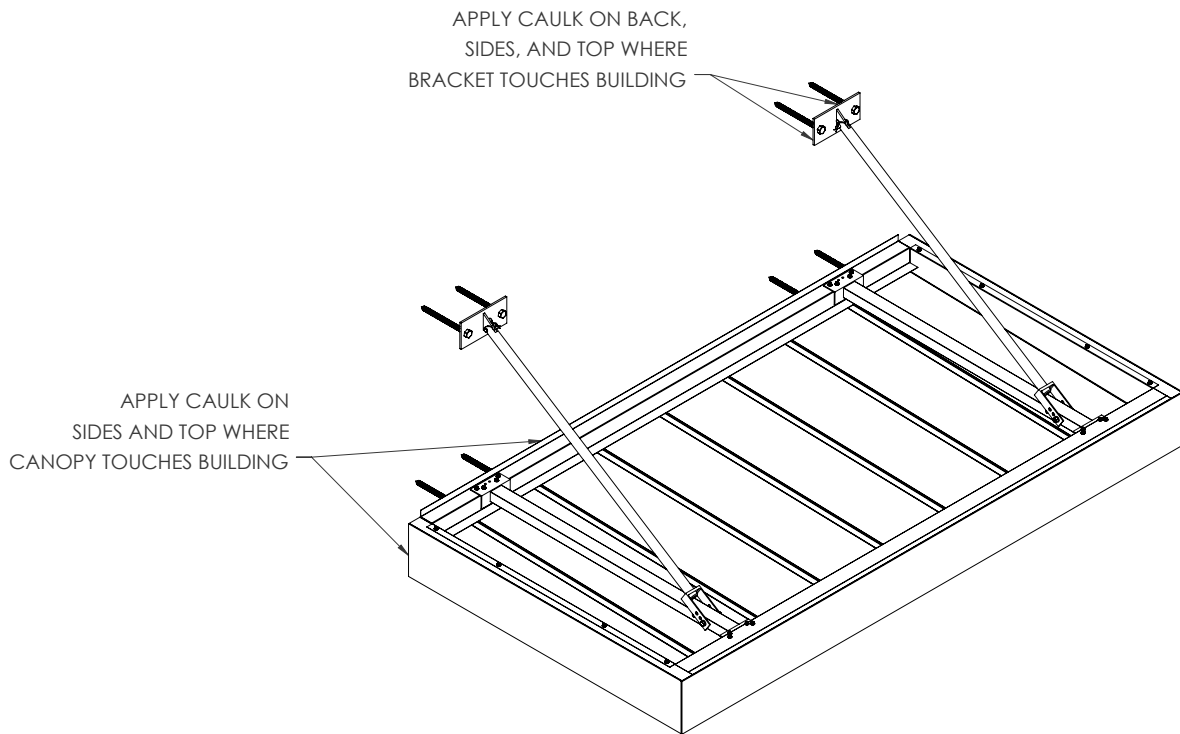


FIG 3