

SEATTLE

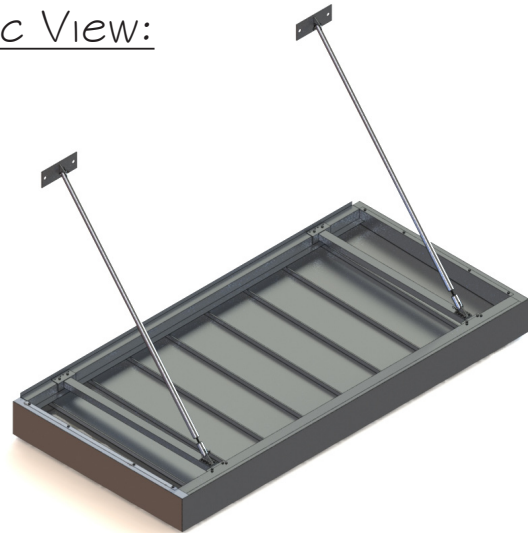
CANOPY SYSTEM

Description:

Exclusive canopy system with innovative flexibility to provide rain protection. Can be designed as front gutter and scuppers, or with back gutter and downspouts. This powder coated, all aluminum construction is easily installed and can be field fitted if necessary. Also available with different face options and integrated LED lighting.

Made in USA.

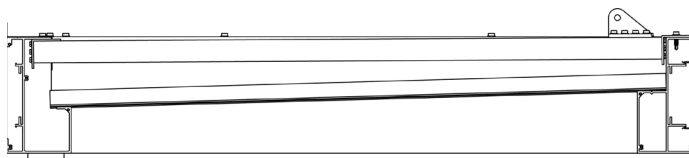
Isometric View:



Cross Section:

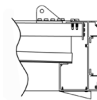


Gutter Forward With Scuppers

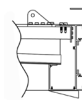


Gutter Back With Downspout

Face Options:



8" Flat (Standard)



10" Flat



8" Open



10" Open

LED Lights:



LED Module

Contact:

Sales@awnexinc.com 770-704-7140

www.awnexinc.com

How to Request a Quote:

Provide Awnex with a building layout, with dimensions, showing where you want the canopies and trellises, projection needed, other options and site location. All quotes returned within two business days. Or call 770-704-7140 and ask for sales.

SEATTLE

CANOPY SYSTEM

STANDARD SIZES

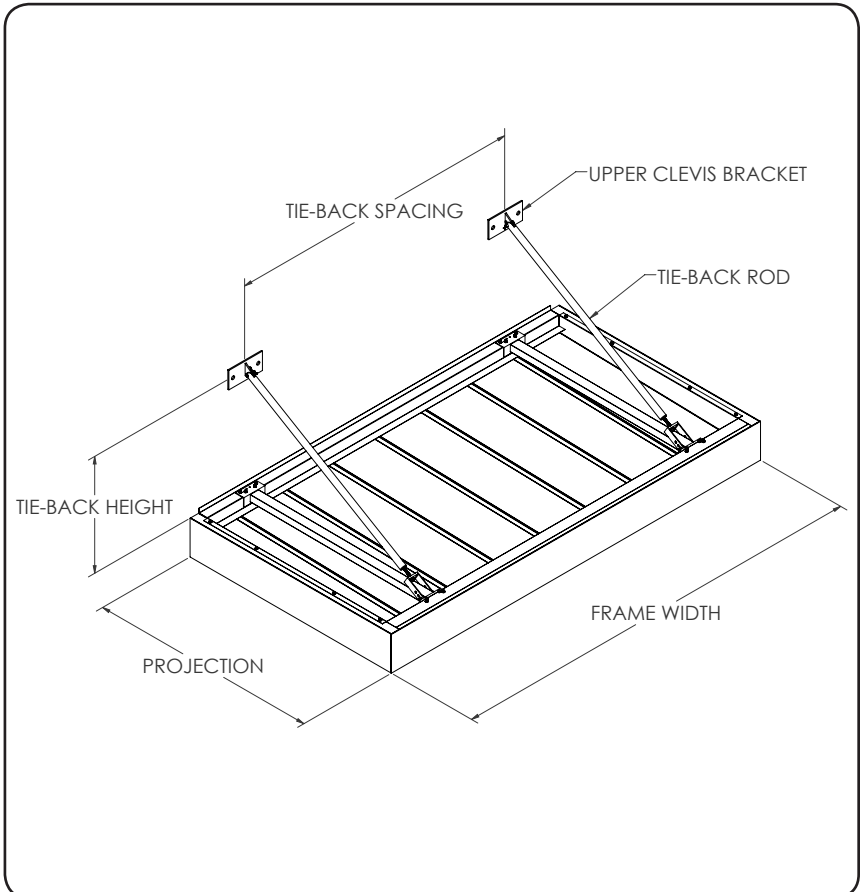
- Projection: 4'
- Frame Width: 48" - 176"
- Tie-Back Height: 2' - 3'
- Tie-Back Spacing: 44" / 88"
- Tie-Back Rod: $\varnothing 1\frac{1}{4}$ "
- Upper Clevis Bracket: 8" Wide

CUSTOM SIZES

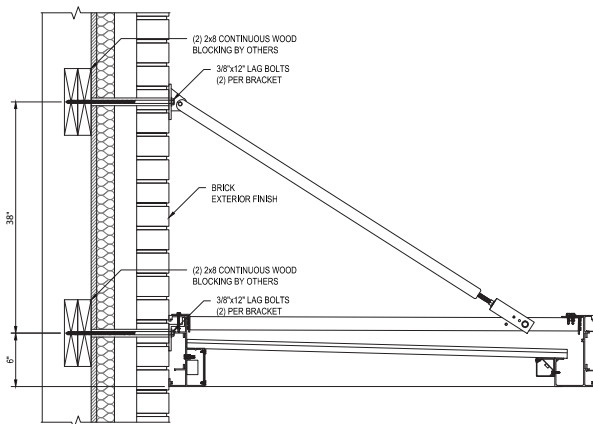
- Projection: 2' - 6'
- 6' + Projection Requires Engineering

HIGH WIND / SNOW LOAD

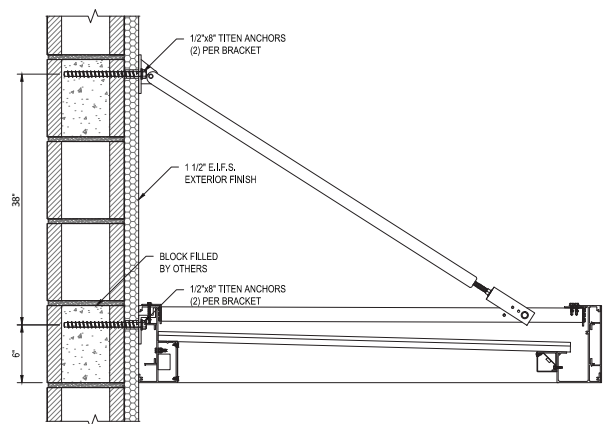
- Tie-Back Rod: $\varnothing 1\frac{1}{2}$ "
- Upper Clevis Bracket: 10" Wide



BLOCKING EXAMPLES



BRICK WITH INSULATION OVER WOOD BLOCKING



E.F.I.S. OVER CMU BLOCK WALL

*Product specific blocking will be provided for construction drawings.