

TYPICAL SEATTLE CANOPY:

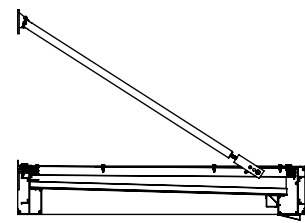
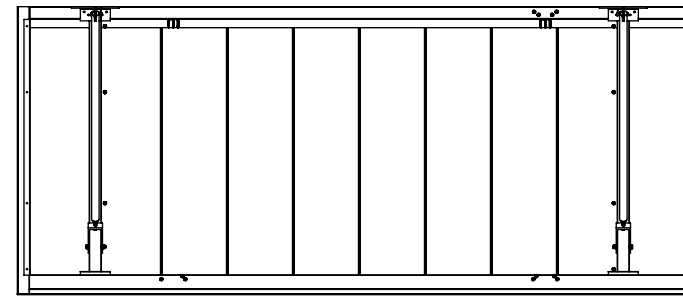
PROJECTION: 4'-0"
 FRAME WIDTH: 9'-6"
 TIE-BACK HEIGHT: 2'-0"
 FRONT SCUPPER DISCHARGE

STANDARD SIZE RANGE:

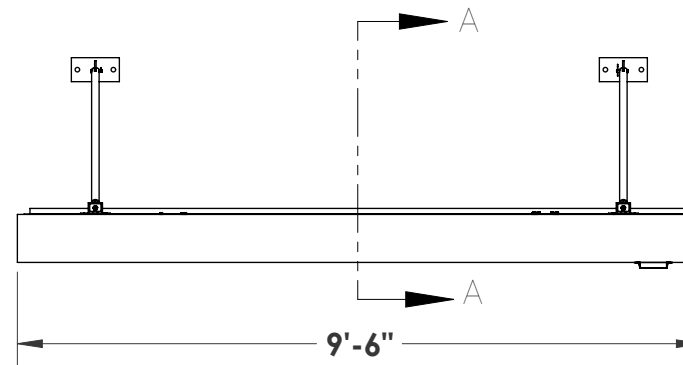
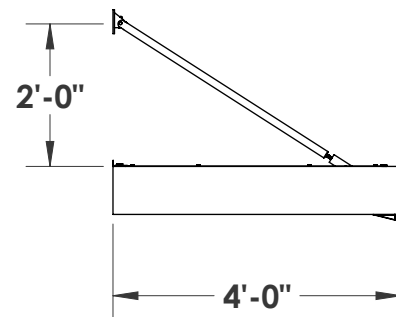
PROJECTION: 2'-0" to 6'-0"
 FRAME WIDTH: 4'-0" to 14'-8"
 TIE-BACK HEIGHT: 2'-0" to 3'-0"

OPTIONS:

PROJECTION: >6'-0" (require add'l eng)
 HIGH WIND/SNOW LOAD: YES NO
 DOWN SPOUTS: YES NO
 BACK GUTTER: YES NO



SECTION A-A



Ball Ground, Ga. 30107
 www.awnexinc.com
 Ph. 770-704-7140 Fax 770-704-7647

SUPERIOR WATER CONTROL

- SPECIFY FOR:
- DT PICK-UP WINDOWS
 - ENTRY WAYS
 - DT LANES
 - WALKWAYS

DRAWING NAME: TYPICAL SEATTLE CANOPY

REV	DATE	BY	DESCRIPTION
A	7/28/16	M.P.	INITIAL RELEASE

DESIGN NOTES:

100% ALUMINUM
 AAMA APPROVED POWDERCOAT
 MULTIPLE FACEPLATE DESIGNS
 FRONT & BACK GUTTERS
 DELIVERED ASSEMBLED

DWN BY: M.P. CHK BY: S.M. ENG. BY:

SCALE: 1:32

SHT. NO:
P-1.00

Reproduction of this document without the written authorization of AWNEX, Inc. is strictly prohibited Copyright 2015, AWNEX, Inc.