



DRIVE-THRU SYSTEMS

Clearance Bar

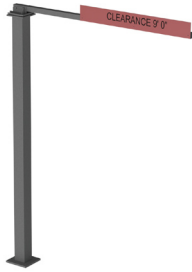
Description:

Not only do the Atlanta Drive Thru Systems protect your building, they help reinforce your brand image with a range of products from simplistic to elegant. Our clearance bars come fixed or pivoting, using our spring loaded technology, along with an array of color and customizable options to make it truly yours.

Isometric View:



Clearance Bar Styles:



Highland
Pivoting



Centennial
Non-pivoting
ø4" Sch 40 steel pipe



Brookhaven
Pivoting
6063 Aluminum
LED lighting (optional)

Contact:

Sales@awnexinc.com 770-704-7140
www.awnexinc.com

How to Request a Quote:

Provide Awnex with a building layout showing where you want the clearance bar and speaker cover. All quotes returned within two business days. Or call 770-704-7140 and ask for sales.



DRIVE-THRU SYSTEMS

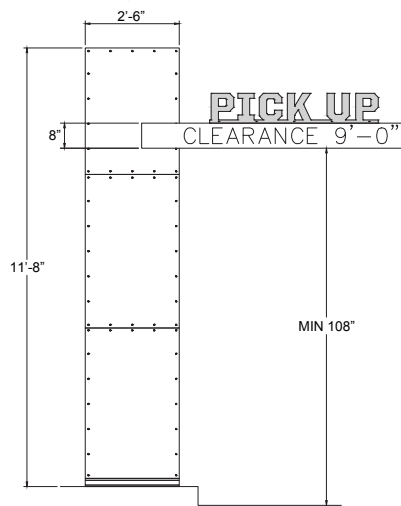
Clearance Bar

Description:

These architectural elements are solidly constructed from aluminum and steel components. They feature break away or swing away mechanisms to minimize damage to your property in the event a collision occurs. Add in the color and graphic customization that's available and you have a product that not only protects your building, but also promotes your brand.

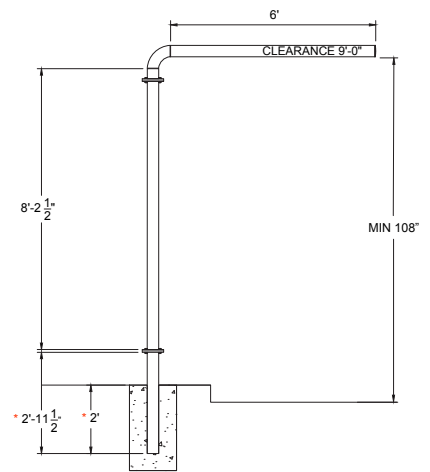
Brookhaven

- Aluminum Angle Frame with $\frac{1}{8}$ " Alum Cladding
- Pivoting Clearance Bar



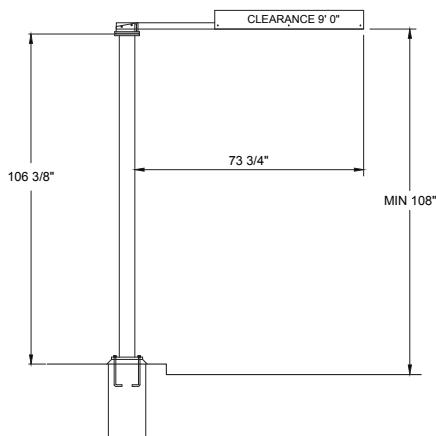
Centennial

- Sch 40 Steel Pipe
- Non-Pivoting Clearance Bar

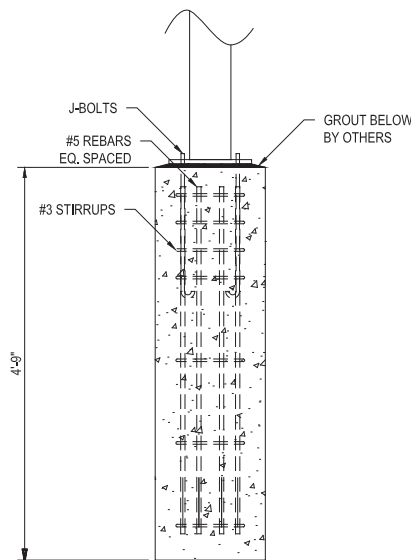


Highland

- 5" Square Steel Tube
- $\frac{3}{16}$ " Wall Thickness
- Pivoting Clearance Bar



Standard Footer



*** Footer size may need to adjust to suite design & local codes. ***

Customization:

Awnex designs account specific products to match our client's branding image. If you require a custom clearance bar to better adhere to your brands aesthetic, contact us for your custom design needs.

Phone: 770-704-7140

Fax: 770-704-7647

E-mail: sales@awnexinc.com