

TYPICAL COLORADO SINGLE CANOPY:

PROJECTION: 4'-0"
 FRAME WIDTH: 7'-4"
 TIE-BACK HEIGHT: 3'-0"

STANDARD SIZE RANGE:

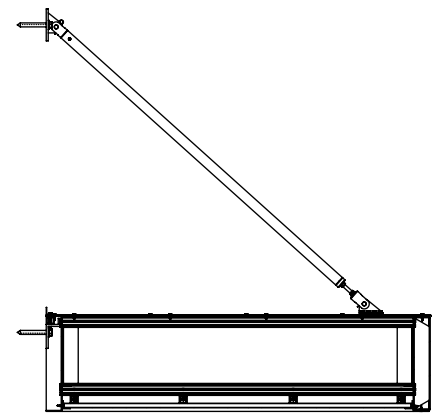
PROJECTION: 2'-0" to 6'-0"
 FRAME WIDTH: 4'-0" to 14'-8"
 TIE-BACK HEIGHT: 2'-0" to 3'-0"

OPTIONS:

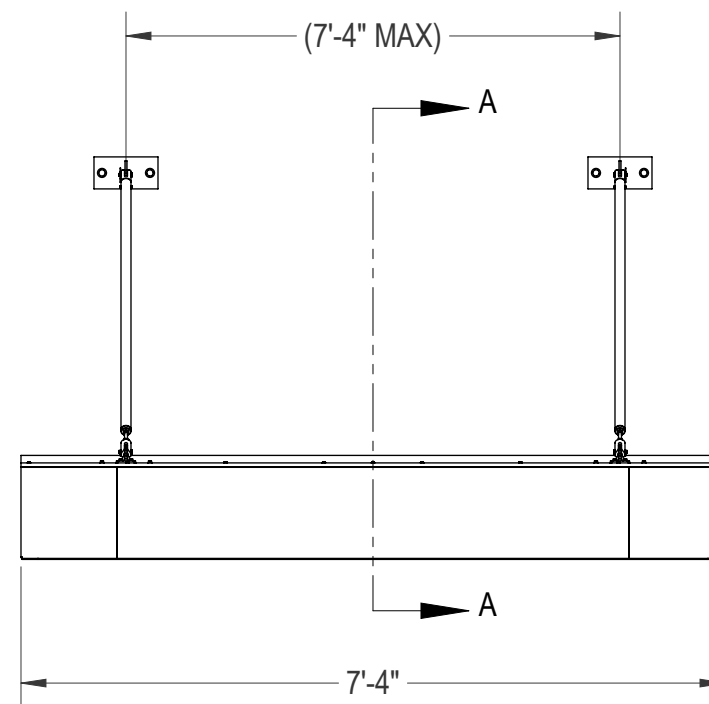
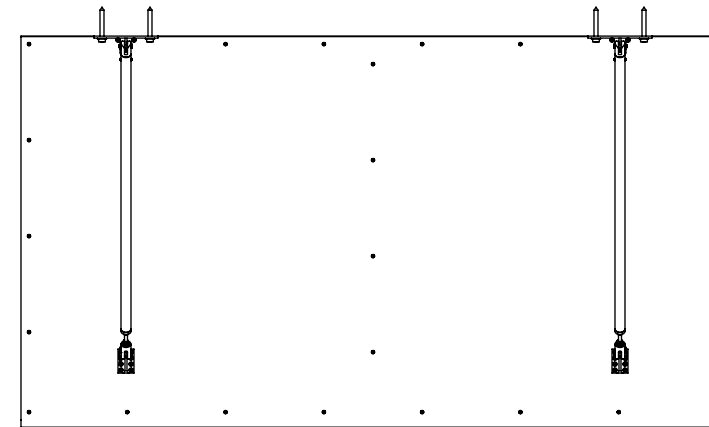
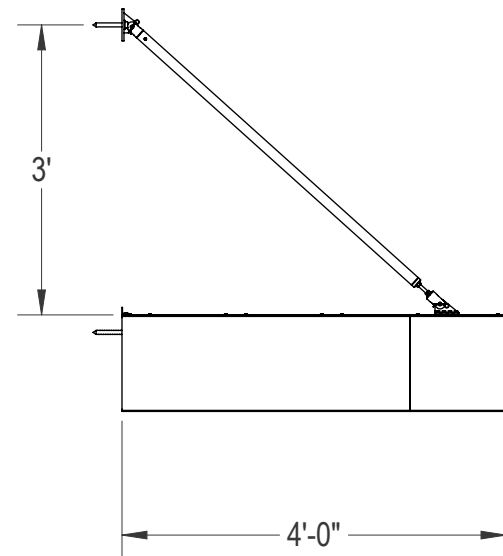
PROJECTION: >6'-0" (require add'l eng)
 HIGH WIND/SNOW LOAD:
 INTEGRATED GUTTER:
 CAN LIGHTS:

NOTES:

>30" NO TIE-BACK REQUIRED



SECTION A-A



Ball Ground, Ga. 30107
 www.awnexinc.com
 Ph. 770-704-7140 Fax 770-704-7647

DRAWING NAME: TYPICAL SINGLE FRAME, COLORADO SYSTEM	REV	DATE	BY	DESCRIPTION
	A	06/28/17	MP	INITIAL RELEASE

SHIPPING ADDRESS:

CONTRACTOR:

DWN BY: MP	CHK BY: JB	ENG. BY:
SCALE: 1:24		
SHT. NO: P-1.00		

Reproduction of this document without the written authorization of AWNEX, Inc. is strictly prohibited Copyright 2017, AWNEX, Inc.

TYPICAL COLORADO MULTI-FRAME CANOPY:

PROJECTION: 4'-0"
 FRAME WIDTH: 7'-4"
 TIE-BACK HEIGHT: 3'-0"

STANDARD SIZE RANGE:

PROJECTION: 2'-0" to 6'-0"
 FRAME WIDTH: 4'-0" to 14'-8"
 TIE-BACK HEIGHT: 2'-0" to 3'-0"

OPTIONS:

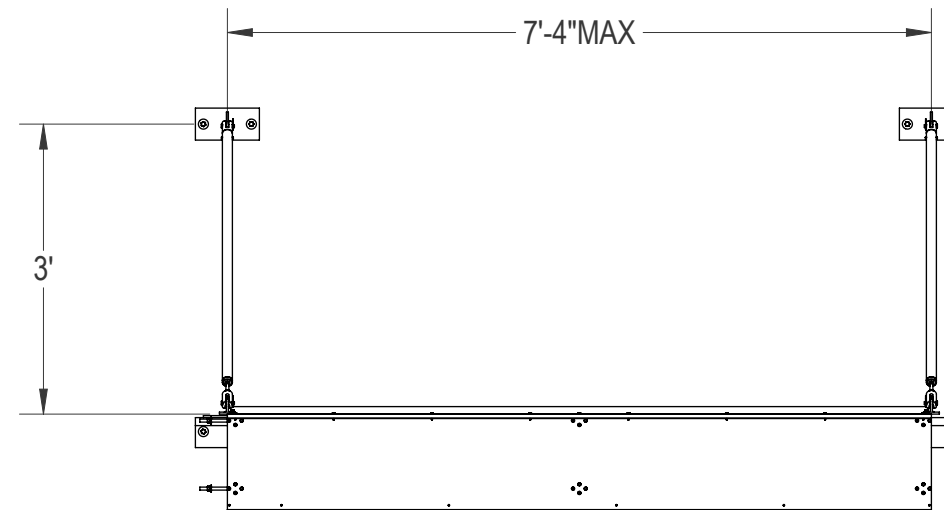
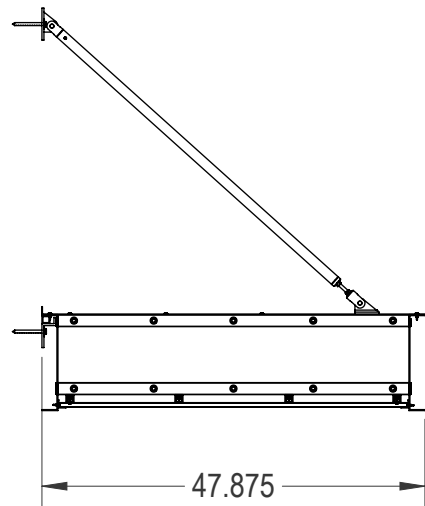
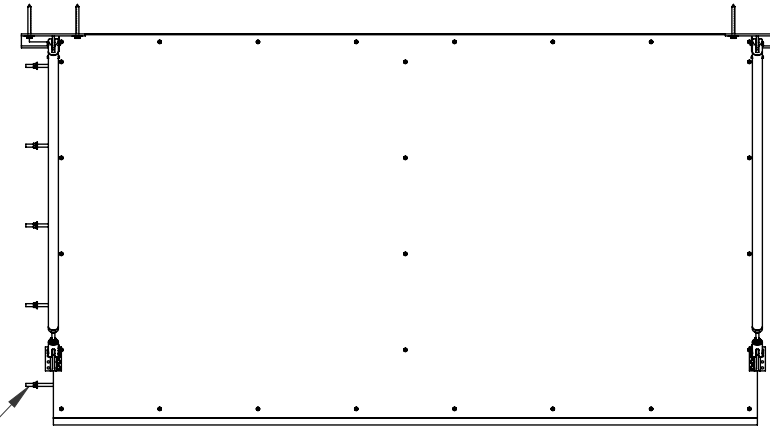
PROJECTION: >6'-0" (require add'l eng)
 HIGH WIND/SNOW LOAD:
 INTEGRATED GUTTER:
 CAN LIGHTS:

NOTES:

>30" NO TIE-BACK REQUIRED

SHEET METAL FACE ADDED ONCE ALL FRAMES INSTALLED. ADDS 1/8" TO PROJECTION

HARDWARE USED TO JOIN FRAMES



Ball Ground, Ga. 30107
 www.awnexinc.com
 Ph. 770-704-7140 Fax 770-704-7647

DRAWING NAME: TYPICAL INTERMEDIATE FRAME, COLORADO SYSTEM

REV	DATE	BY	DESCRIPTION
A	06/28/17	MP	INITIAL RELEASE

SHIPPING ADDRESS:

CONTRACTOR:

DWN BY: MP CHK BY: JB ENG BY:

SCALE: 1:24

SHT. NO:

P-1.01

Reproduction of this document without the written authorization of AWNEX, Inc. is strictly prohibited Copyright 2017, AWNEX, Inc.