

STANDARD CARIBBEAN SHUTTER

PANEL HEIGHT: 44"

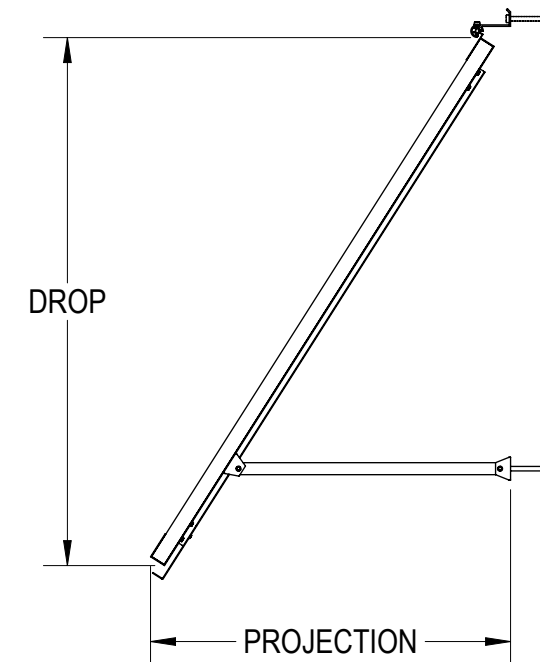
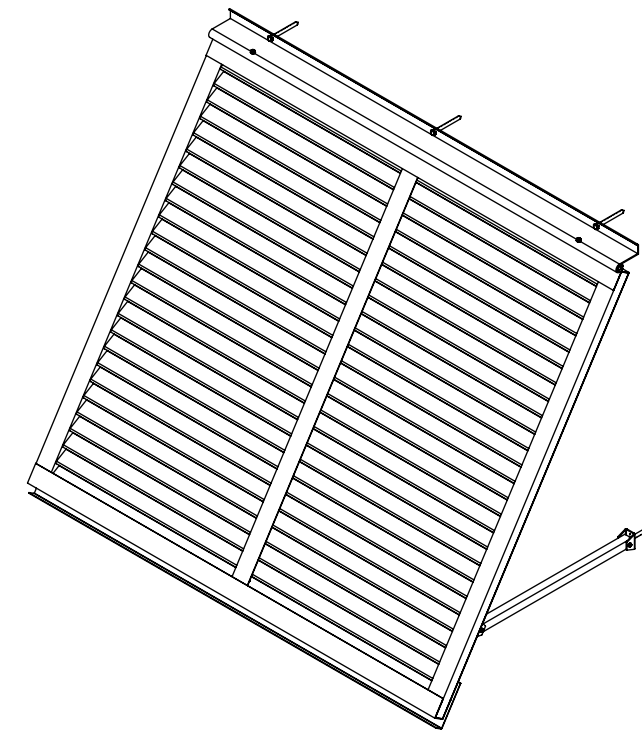
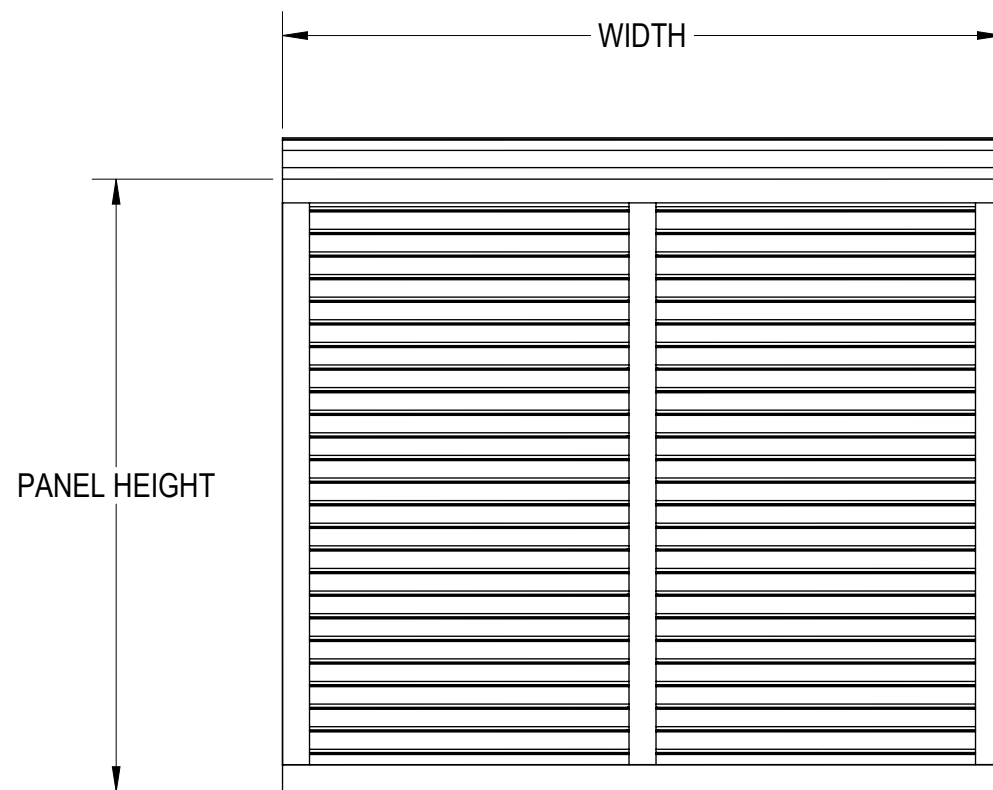
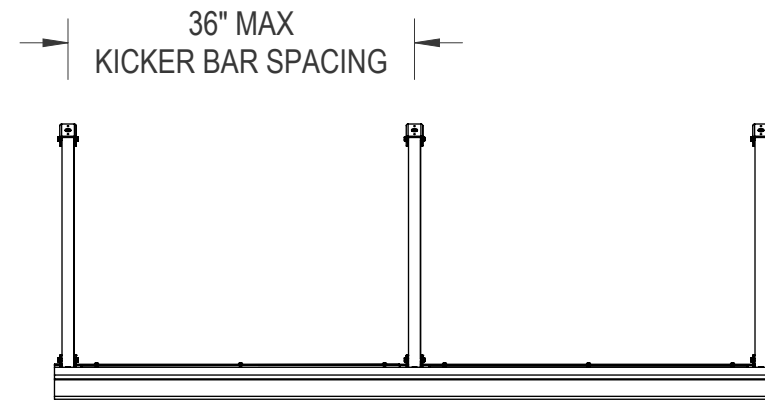
PANEL WIDTH: 40", 60", 72", 76", 88", 108"

OPTIONS

RAIN PAN: SHOWN

CUSTOM WIDTH: 120" (MAX HEIGHT 60")

CUSTOM HEIGHT: 96" (MAX WIDTH 72")



Ball Ground, Ga. 30107
www.awnexinc.com
Ph. 770-704-7140 Fax 770-704-7647

SHUTTERS PROVIDE
FUNCTIONAL SHADE
AND BRANDING
ELEMENT

DRAWING NAME: TYPICAL CARIBBEAN SHUTTER

REV	DATE	BY	DESCRIPTION
A	8/9/17	MP	INITIAL RELEASE

DESIGN NOTES:

- 100% ALUMINUM
- AAMA APPROVED POWDERCOAT
- DELIVERED ASSEMBLED

DWN BY: MP	CHK BY: JB	ENG. BY:
---------------	---------------	----------

SCALE: 1:16

SHT. NO:
P-1.00

Reproduction of this document without the written authorization of
 AWNEX, Inc. is strictly prohibited Copyright 2017, AWNEX, Inc.