

SECTION A-A

PROJECT NAME: TUSCANY SYSTEM STANDARD DETAILS

REV	DATE	BY	DESCRIPTION
A	06/29/17	MP	INITIAL RELEASE

CUSTOMER:

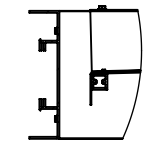
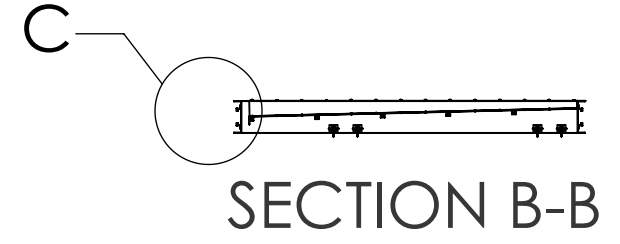
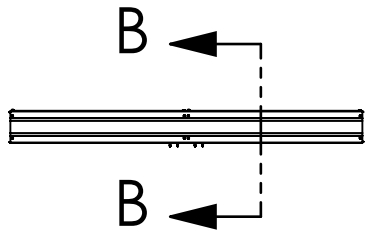
SHIPPING ADDRESS:

CONTRACTOR:

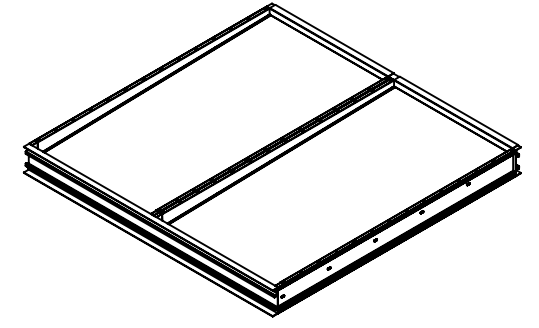
DWN BY: MP    CHK BY: JB    ENG. BY:

SCALE: 1:48

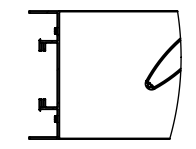
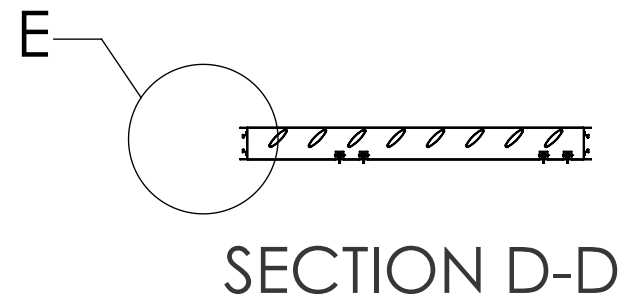
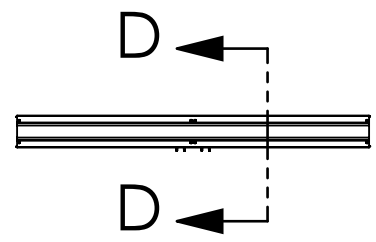
SHT. NO: P-1.00



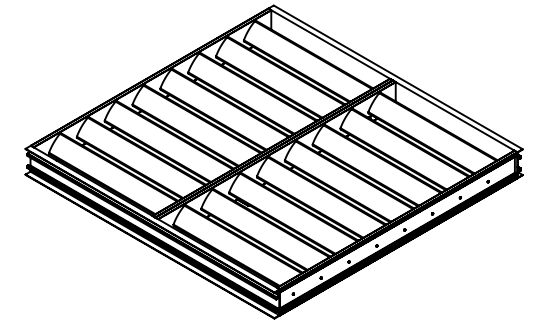
SCALE 1 : 12



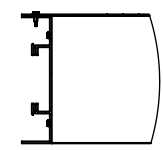
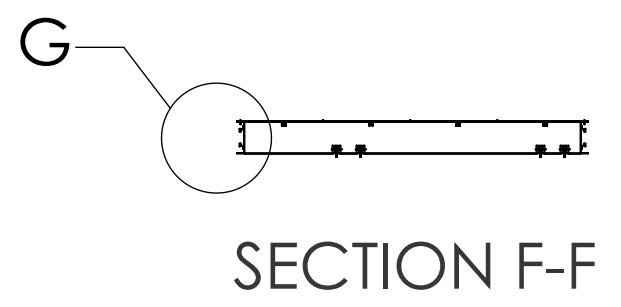
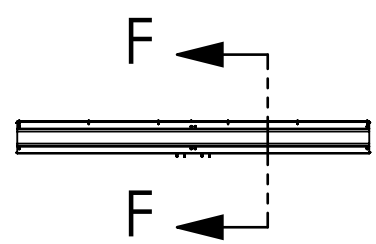
RAIN PAN INSERT OPTION



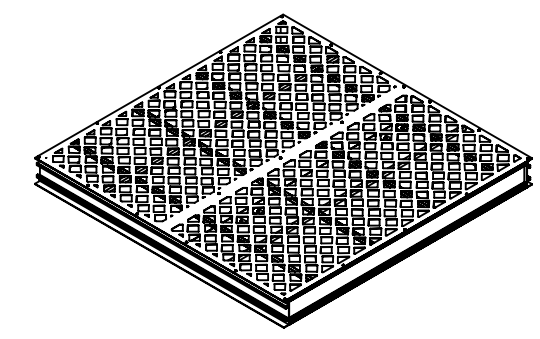
SCALE 1 : 12



LOUVERED INSERT OPTION



SCALE 1 : 12



PERFORATED INSERT OPTION

PROJECT NAME: TUSCANY SYSTEM STANDARD DETAILS

REV	DATE	BY	DESCRIPTION
A	06/29/17	MP	INITIAL RELEASE

CUSTOMER:

SHIPPING ADDRESS:

CONTRACTOR:

DWN BY: MP	CHK BY: JB	ENG. BY:
---------------	---------------	----------

SCALE: 1:48  
SHT. NO: P-1.01