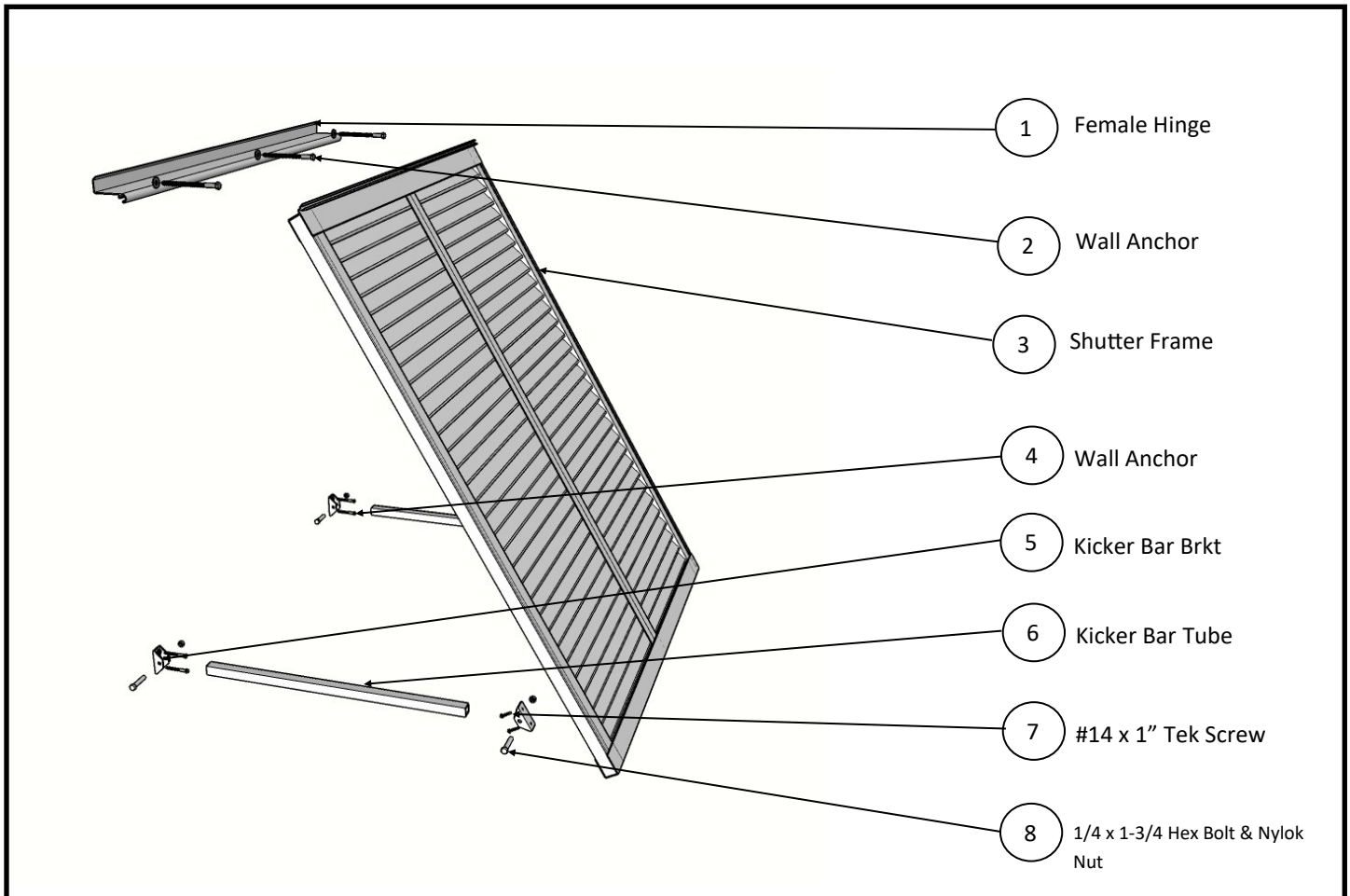


CARIBBEAN

Installation Instructions For Caribbean Shutters



These installation instructions show a typical Caribbean Shutter Installation Project. Your particular project will have differences in size and projection. This should not change the general approach to installation as outlined here. Custom features will have instructions outlined in the production drawings provided.

The wall anchors will change based upon the type wall you are attaching to.

Any questions you may have, beyond what is provided here, can be answered by going to our web site, www.awnexinc.com or calling us at 770-704-7140.

1. Upon delivery, inspect the product for any damages that may have occurred during transit. Open the field kit crate, review the drawing package and check the field kit quantities and the packing list.
2. Find the Female Hinge (#1), the Kicker Bar Brkts (#5) and the appropriate wall anchors (#2 & 4). Check the drawing package and look for the dimensions "A" thru "D". Verify the elevation of the shutter and attach both the Female Hinge and the Kicker Bar Brkts to the wall. You may have to use a compression sleeve if the wall finish is too soft such as EFIS. (see Fig 1a)
3. With the Kicker Bar Brkts (#5) and the #14 x 1" Tek Screws (#7), attach the brackets to the Shutter Frame according to dimension "E" from the provided plans. (see fig 1b)

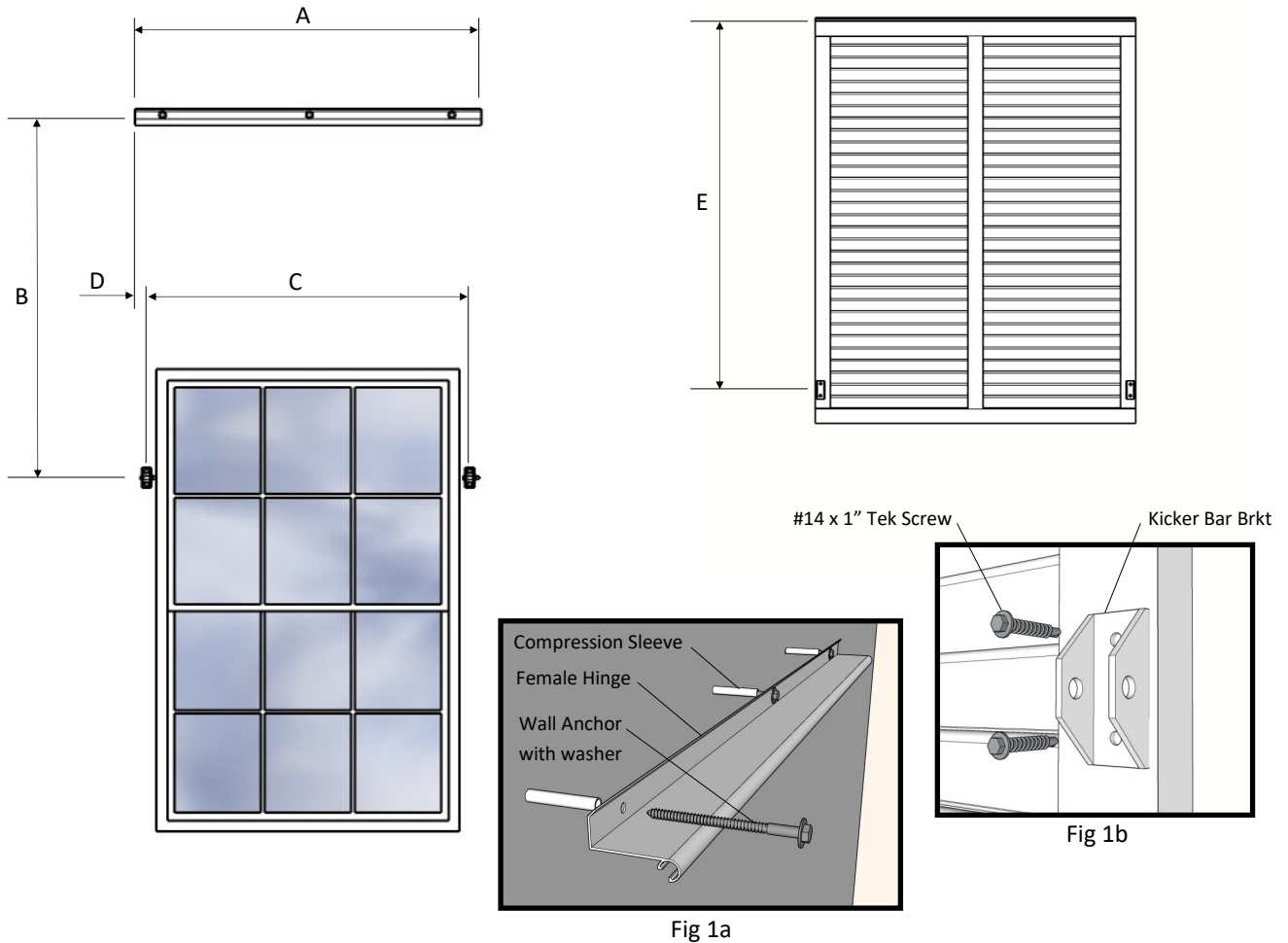


Fig 1

4. Repeat these steps for all the shutters on the building checking to make sure you have the correct shutters in the correct locations.

5. Slide the Shutter Frame (#3) into the Female Hinge (#1) so that it is flush at each end.
6. Prop out the shutter to the desired projection.
7. Measure the distance from center of Kicker Bar Brkt hole to Kicker Bar Brkt hole. (dimension "F", see fig 2)

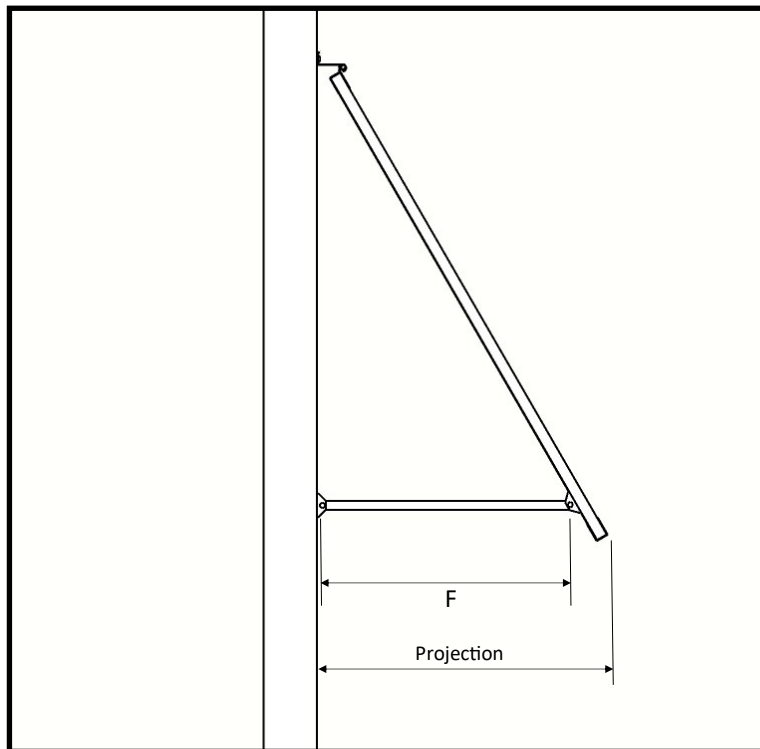


Fig 2

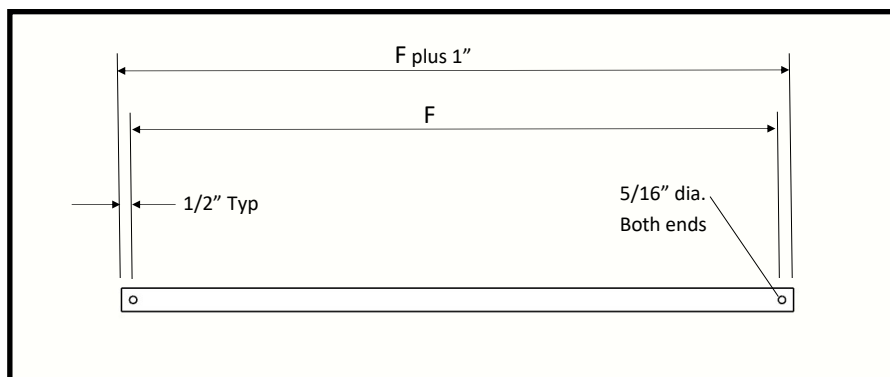


Fig 3

8. Using the Kicker Bars (#6) provided, cut to length and drill the holes as illustrated in fig 3 above.

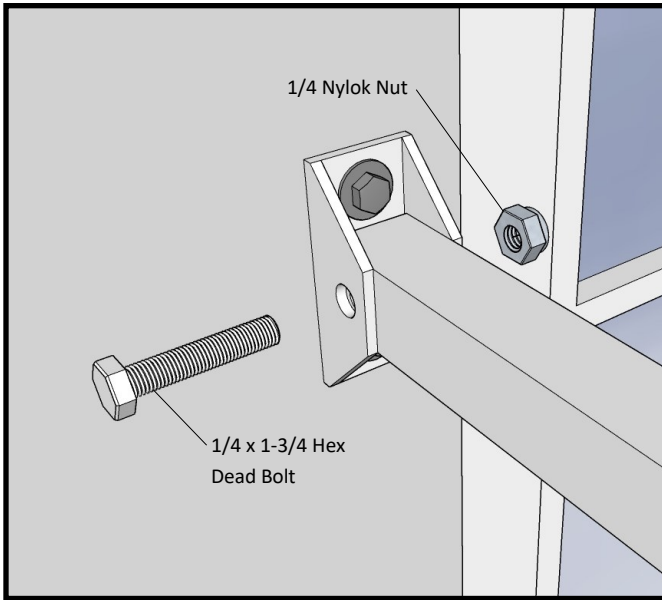


Fig 4

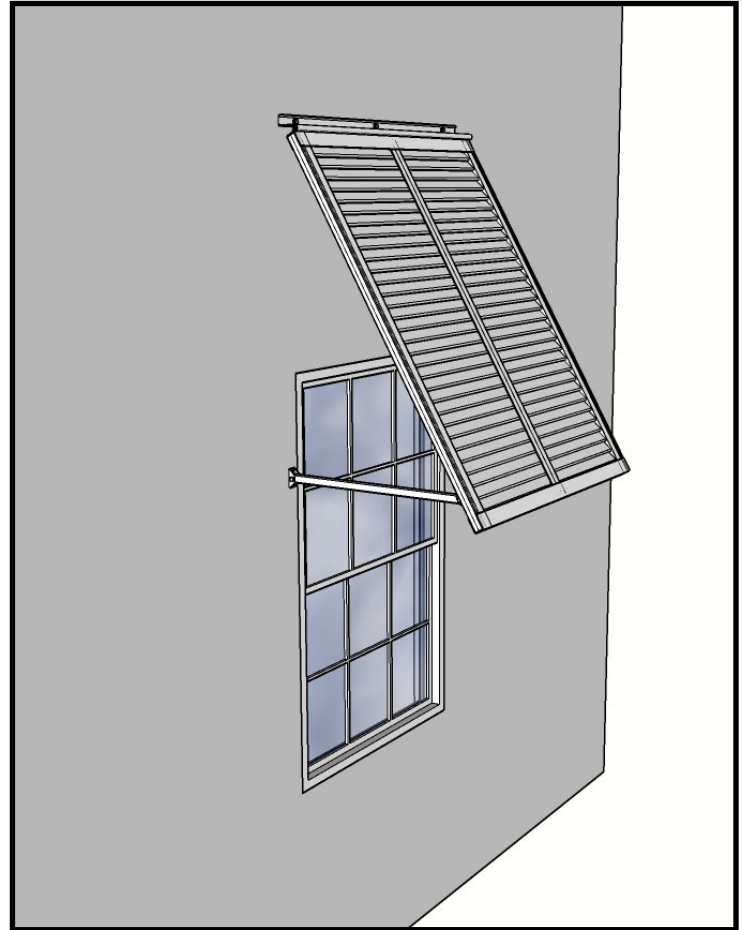


Fig 5—Complete Installation

9. Using the provided 1/4 x 1-3/4 Hex Head Bolts and Nylok Nuts (#8), assemble the Kicker Bars to the Kicker Bar Brackets on all of the shutters. (see fig 4)
10. Touch up all exposed hardware screws and cut edges as needed with supplied touch up paint.
11. Wipe down all surfaces removing dirt, smudges and hand prints.

Rain Pan Option

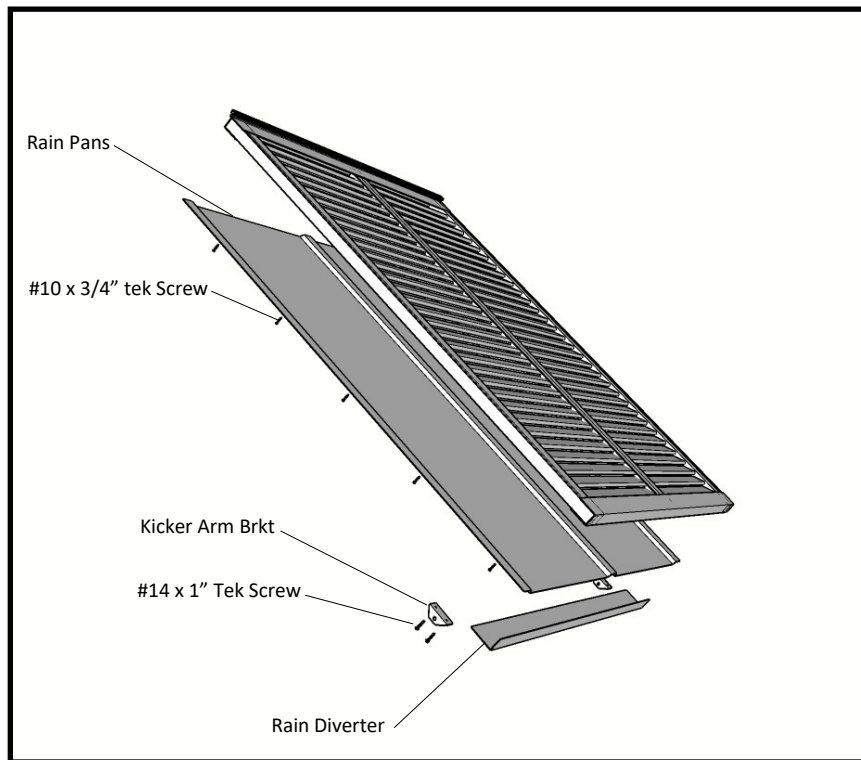


Fig 6—Exploded view of Shutter with Rain Pan Assembly

If one of your shutters has a rain pan, follow the instructions below for only those shutters with rain pans.

1. After step 2 above, install the rain pans to the back side of the shutter using the #10 x 3/4" Tek Screws provided and following the drawings.
2. Now attach the Kicker Bar Brackets using the #14 x 1" Tek Screws provided.
3. Install the Rain Diverter using the #10 x 3/4" Tek Screws. (see fig 7)

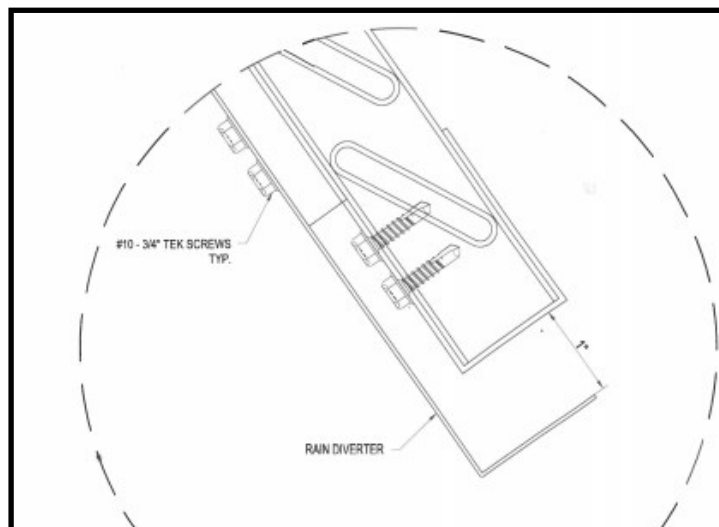


Fig 7