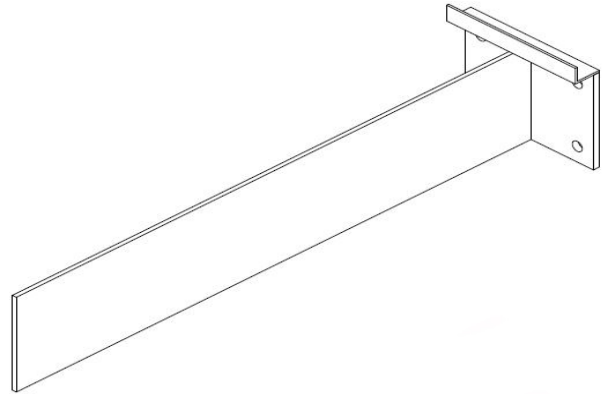


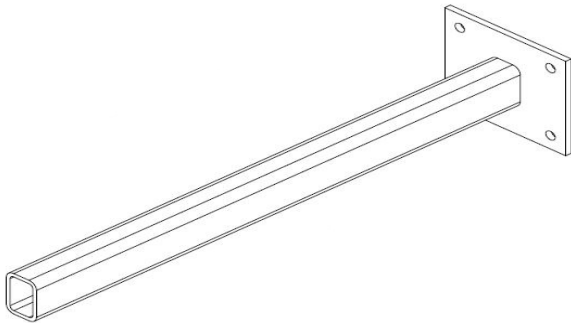
CANTILEVERED OPTIONS

Vertical Flat Bar Cantilevered Bracket

Used on the Phoenix System. Made out of aluminum construction and can support up to a 5'-0" projection. Max spacing is 5'-0" canters.



Steel Tube Outriggers



These are used for the Colorado and the Seattle systems. With a max projection of 4'-0". With the Seattle system the minimum face height must be 12". Max spacing is 5'-0".

Colorado Standard Cantilevered Brackets

Aluminum construction. 36" max spacing. The standards for using these are as follows:

- For an 8" tall face, the max projection is 30"
- For a 12" tall face, the max projection is 36"
- For a 16" tall face, the max projection is 48"

