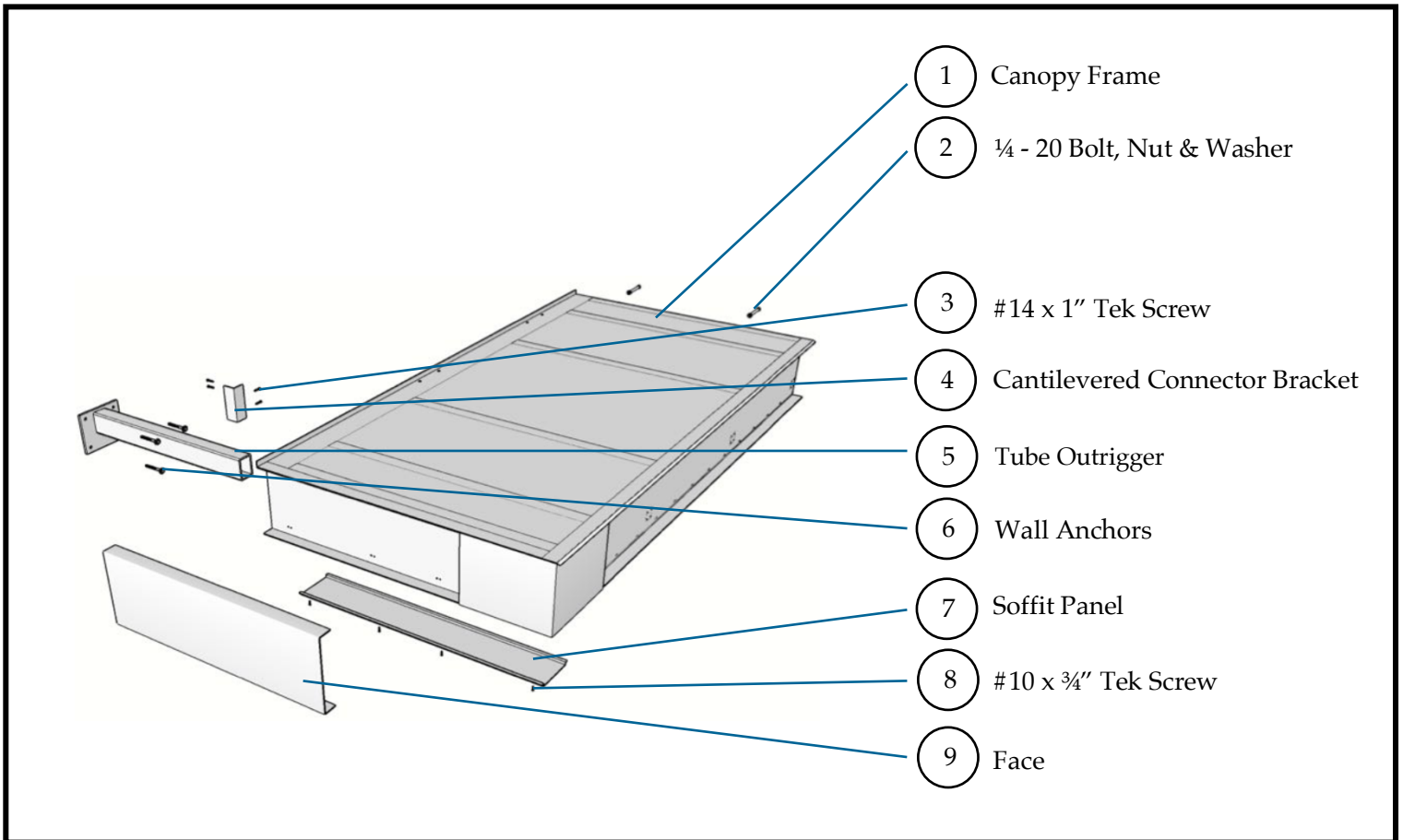




Installation Instructions for the Colorado Canopy System Cantilevered



Upon delivery, inspect product for any damage that may have occurred during transit. If anything is damaged, inform Awnex immediately with photos.



1. Open the field kit crate, review the drawing package and check the field kit quantities per the packing list.
2. Refer to project specific drawing package for intended wall fasteners (Fig 1). Begin installation by laying out tube outriggers (#5) based on the bracket layout shown in the drawings (see fig 2). Use supplied tube outriggers for specific hole patterns.

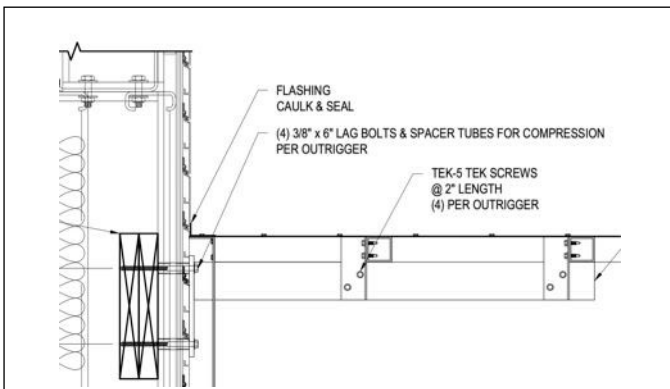


Fig 1

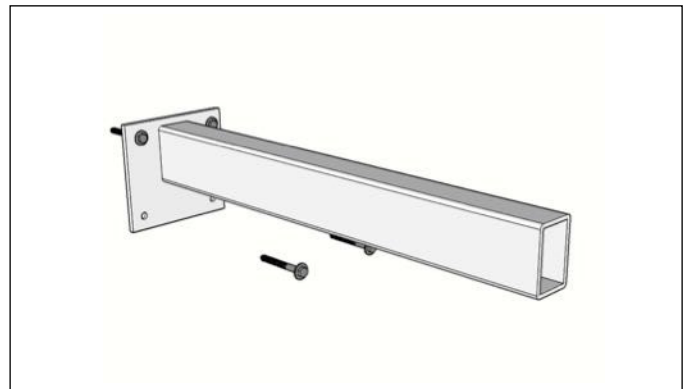


Fig 2

3. Once outrigger locations are marked per dimensions (Fig 3), drill required holes based on specified hardware (Found in drawing package - Fig 4). Seal back of outrigger plate with supplied sealant, secure using included fasteners (#6). Seal sides, top and bottom of plate.

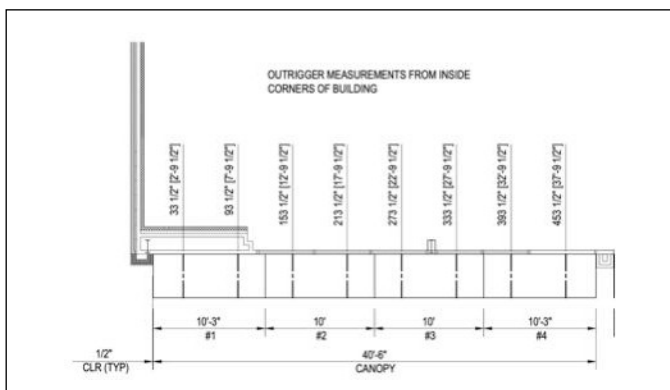


Fig 3

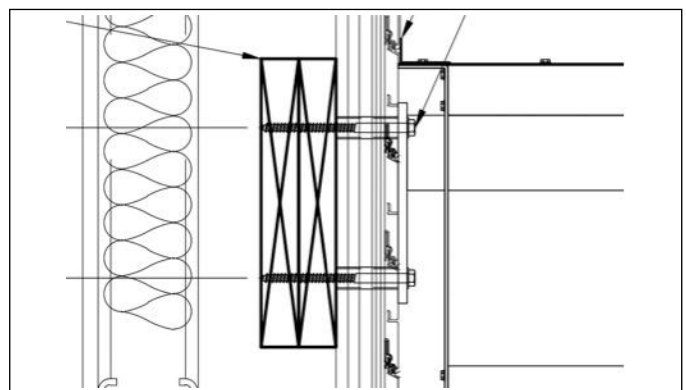


Fig 4



4. Using shop drawings, locate required frame for location on building. Frames will be marked with a number, as shown in drawings (Fig 5). For applications with connecting multiple frames, typically you will start from the left side.

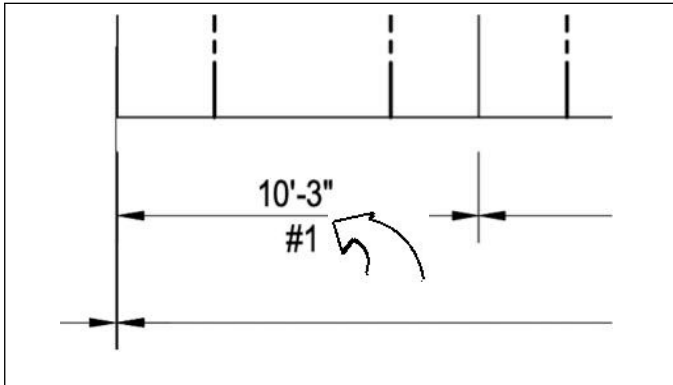


Fig 5

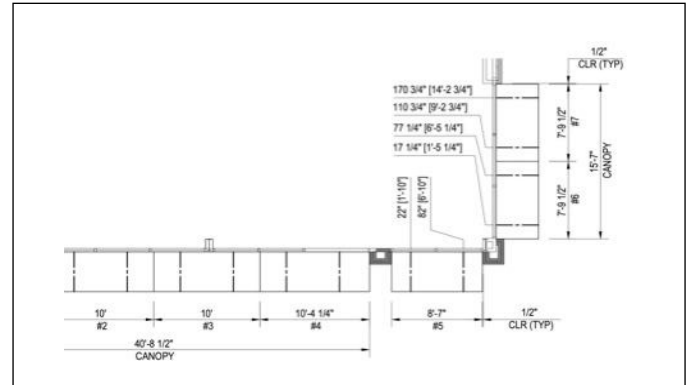


Fig 6

5. Place canopy on lift in front of the outriggers (Fig 7) lift up until lined up with outriggers. Slide canopy to the wall onto the outriggers through the holes in the back channel (Fig 8).

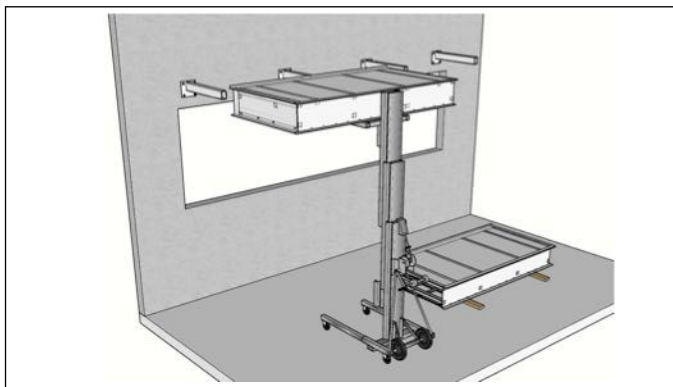


Fig 7

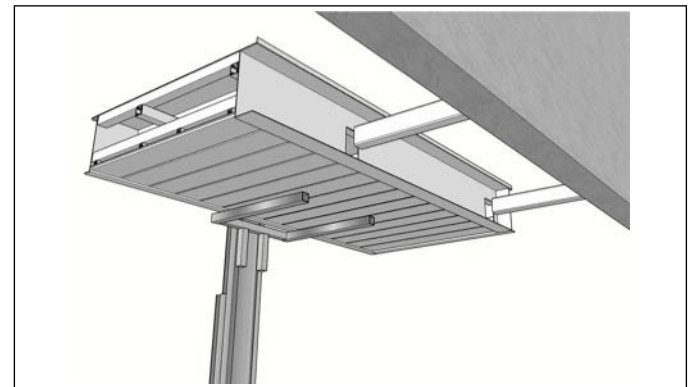


Fig 8



6. Make sure the canopy is tight against the wall (Fig 9). Confirm that canopy is positioned correctly on the wall, adjust if needed.

7. Attach connecting bracket to the canopy as shown in (Fig 10) using supplied Tek screws.

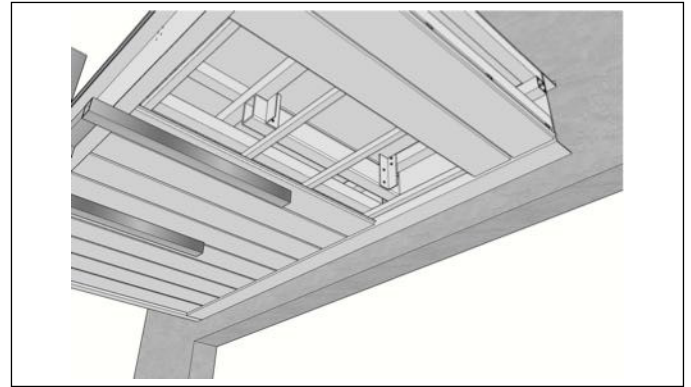


Fig 9

8. Using the lift as needed, level canopy front to back (Fig 11).

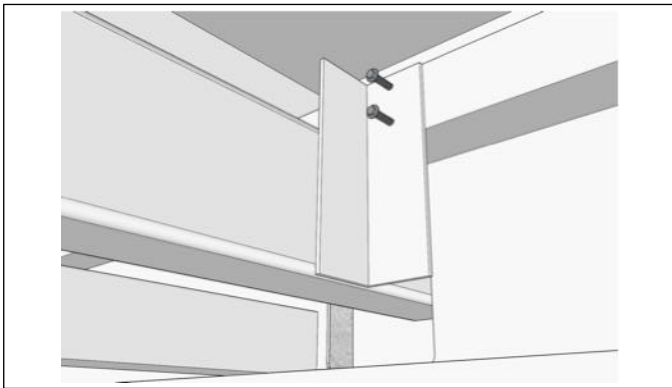


Fig 10

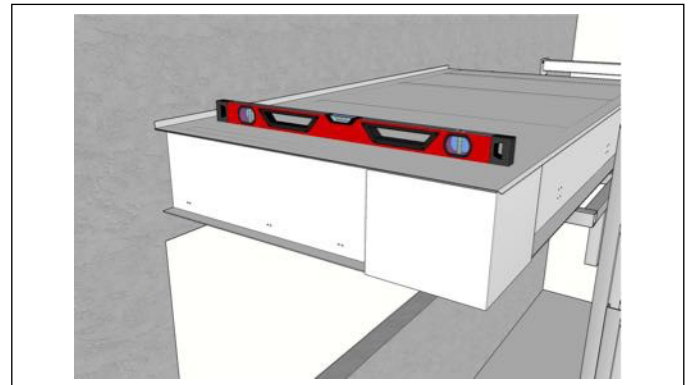


Fig 11

9. Using supplied Tek screws, secure connecting bracket to outrigger (Fig 12 & 13).



Fig 12

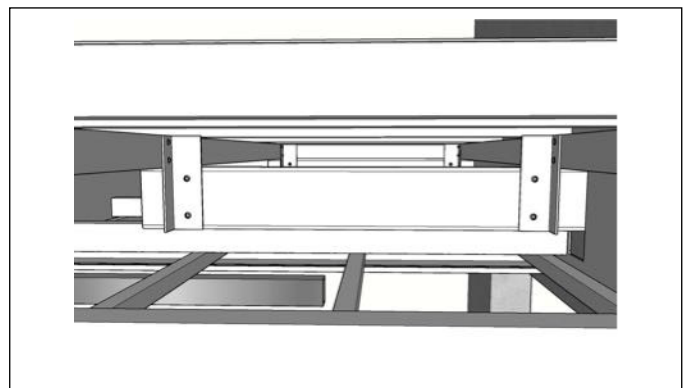


Fig 13



Multiple Frames – (Skip if single canopy)

10. Repeat steps 4 and 5.
11. Using the clamps at the seam, secure frame to already installed canopy.
12. Ensure canopy frames are lined up properly and insert supplied bolts and secure with nuts and washers.

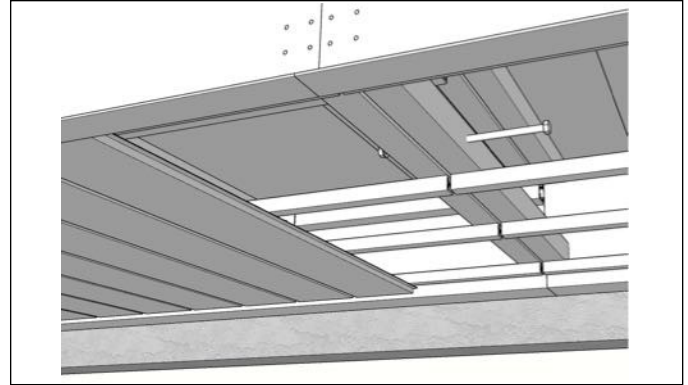


Fig 14

13. Repeat steps 7-9 for remaining outrigger locations.

14. Repeat these steps for any remaining canopies.

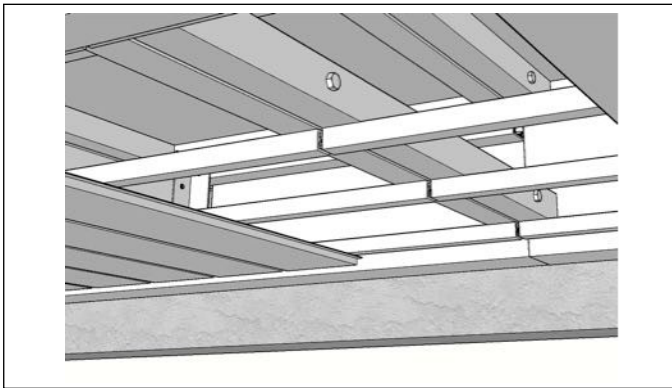


Fig 15

Soffits

15. Locate loose soffit panels, sizes and locations can be found on the drawings. Secure using supplied screws (Fig 16).

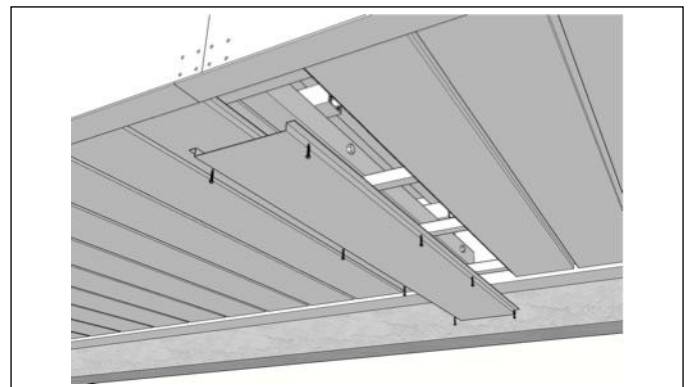


Fig 16



16. A) Seal back of canopy to the wall using supplied sealant (Fig 18). In some applications there might be separate flashing pieces provided or integrated flashing on the canopies. Calk per specs on the drawings. If needed, flashing can be bent to accommodate any inconsistencies in the wall.

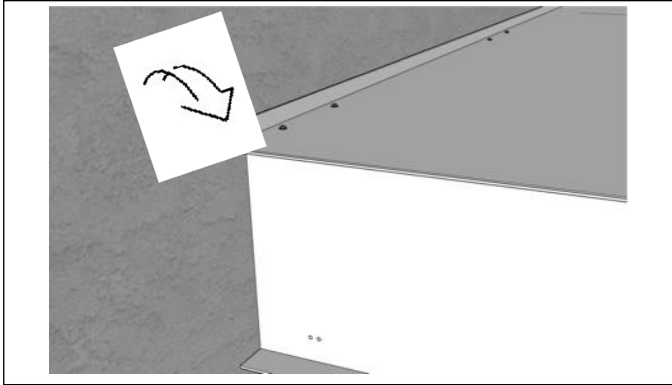


Fig 18

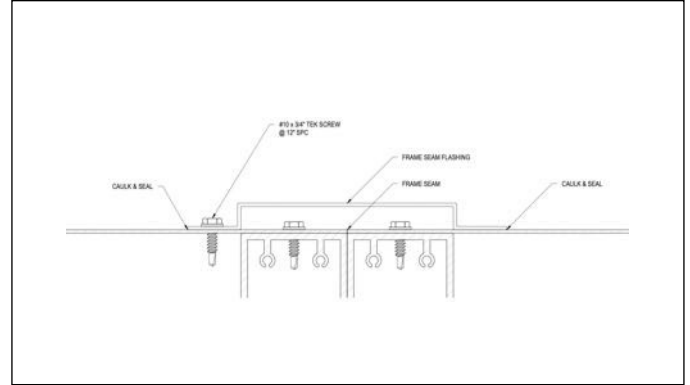


Fig 19

16. B) In multiple frame applications, install and seal flashing at the seams. (Fig 19)

17. Some applications may have face panels that will need to be installed.

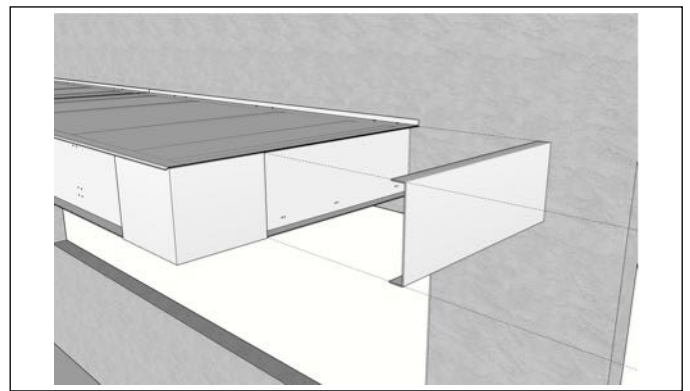


Fig 20

18. If face panels need to be cut on site, use the proper blade rated to cut aluminum. Clean up any burrs and touch up any exposed metal with supplied touch-up with provided paint.

19. Attach faces with included hardware per shop drawings.

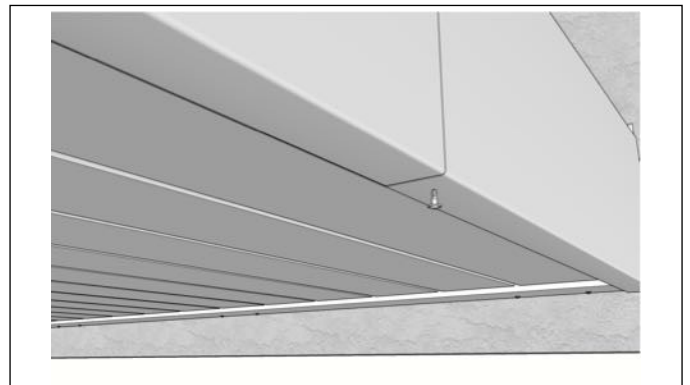


Fig 21



Options:

Integrated Gutters

If your project includes optional gutters, gutter splices will be provided in the field kit. Apply sealant to gutter and splice then install by pressing down firmly at joint (Fig 22).

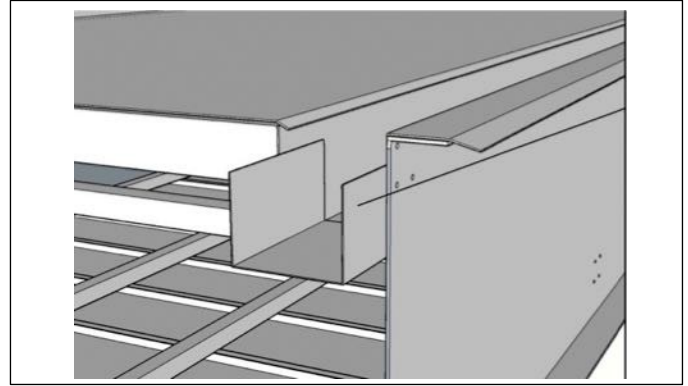


Fig 22

Can lights

If part of your scope of work is to provide can lighting, Ensure the GC provides power leads out the building in the correct locations. Drill a 7/8" dia. Hole through the back channel for the provided lead. Remove the soffit panel adjacent to the panel accepting the light for easy access. Cut the proper sized hole to accept the light. Mount the power supply to the bottom side of the purlins and connect the power. Replace the soffit panels.

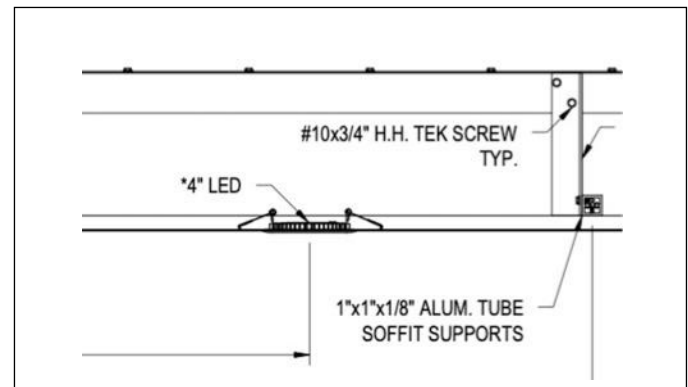


Fig 23

20. Wipe down all surfaces with a mild non solvent based cleaner, removing all dirt, smudges or hand prints.
21. Touch up any exposed hardware with supplied matching touch up paint.