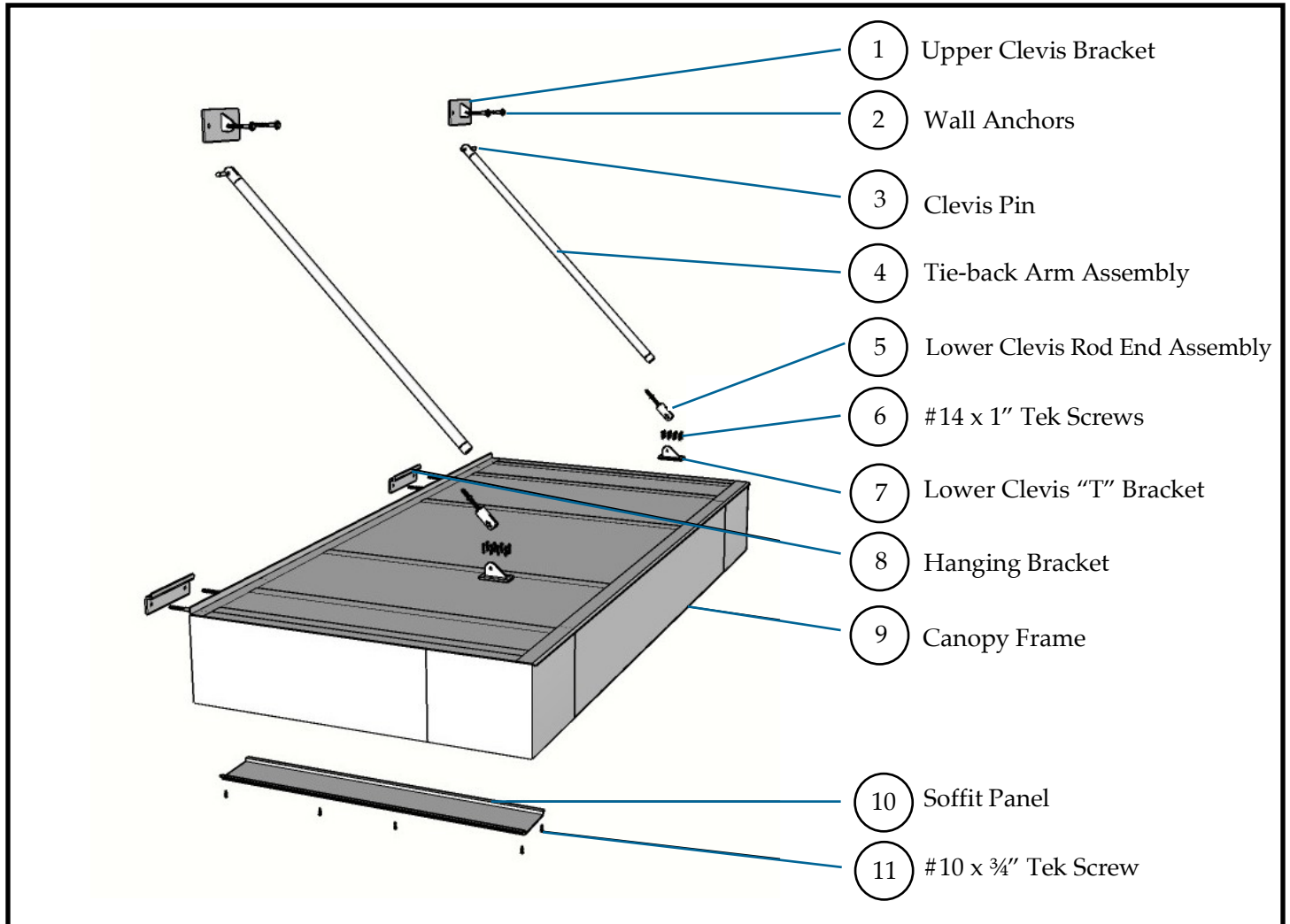




Installation Instructions for the Colorado Canopy System Tie-backs



Before you get started:

1. Upon delivery, inspect the product for any damages that may have occurred during transit. Open the field kit crate, review the drawing package and check the field kit quantities and packing list.



2. Refer to project specific drawing package for intended method of installation. – Begin installation by laying out wall attachment brackets (#1 & #8) based on the bracket layout shown in the drawings (Fig 1). Use supplied brackets for specific hole patterns.
3. Once bracket locations are marked per the layout, drill thru wall finish until solid backing has been found. Cut spacer tube, if necessary (see attachment details in drawing package), to length allowing 1/8" to extend out past finished wall surface and place in a hole. Use the appropriate fasteners (#2) to mount Upper Clevis Bracket (#1) and Hanging Bracket (#8). Use horse-shoe shims if needed (not provided) to compensate for uneven wall surface. Install sealant on back, top and sides of brackets (Fig's 2, 3 &4).

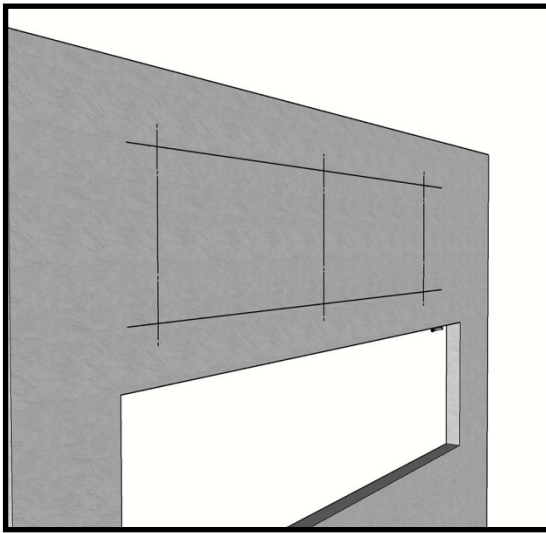


Fig 1

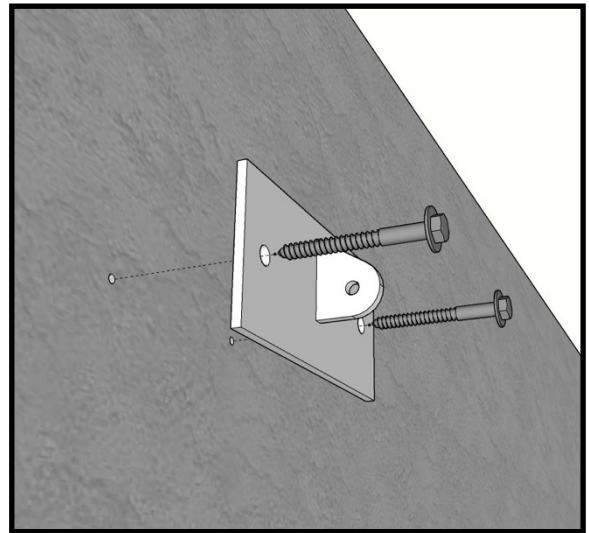


Fig 2

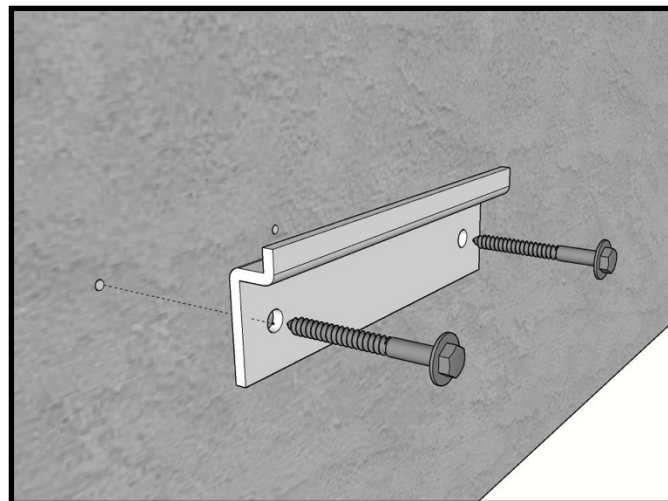


Fig 3

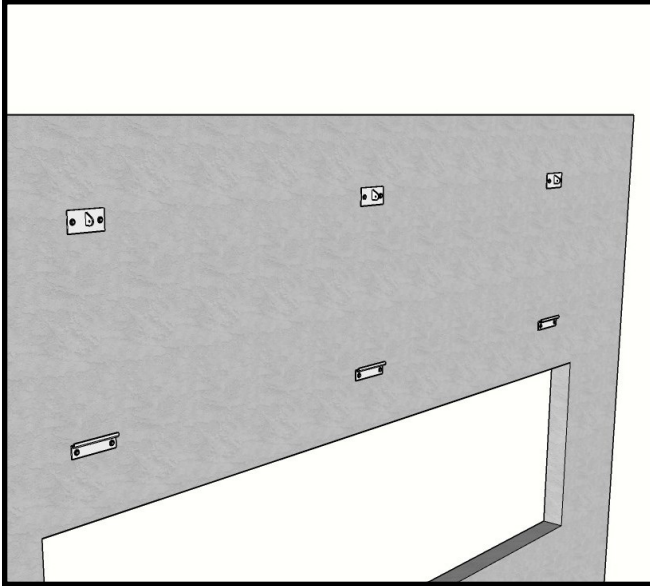


Fig 4

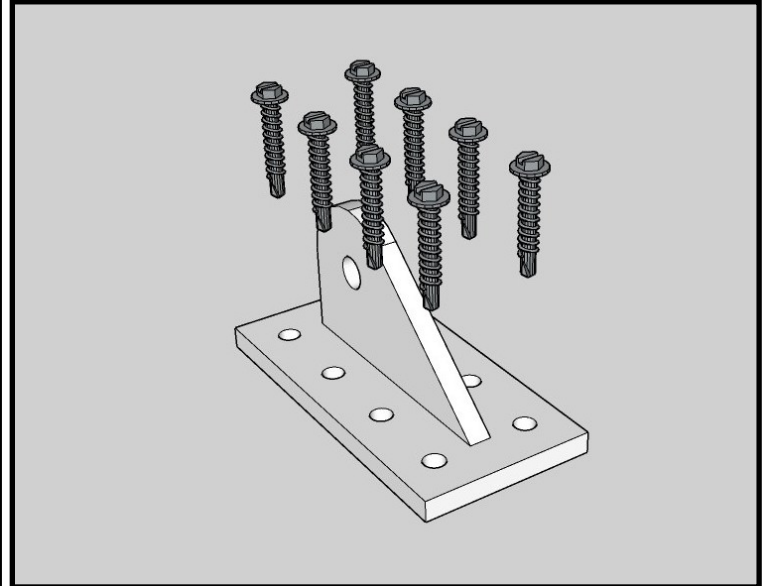


Fig 5

4. If your canopy does not have the Lower Clevis Brackets (#7) pre-assembled, attach them now using the provided #14 x 1" Tek screws. Make sure you locate them at the appropriate locations as indicated by the drawings. They must be mounted into the 2" square tubing below the rain pans (Fig 5).

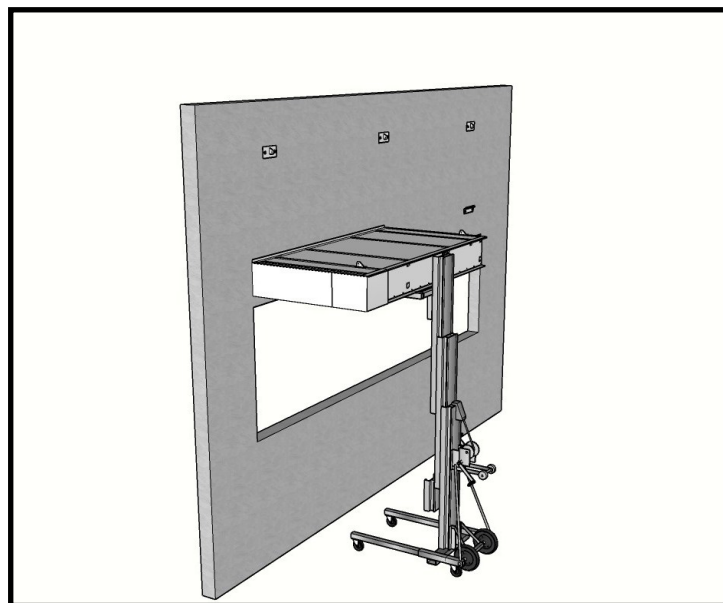


Fig 6



5. Align and hang first canopy by sitting rear channel of canopy into two Hanging Brackets (#8). Once the canopy is aligned and sitting in brackets, attach canopy to bracket with #14 x 2" Tek screws. Continue supporting canopy with lifting equipment until a minimum of two tie-backs are attached.
6. Attach Tie-back (#4) to Upper Clevis Bracket (#1) with a clevis / bridge pin (Fig 6). Attach the Lower Clevis Rod End (#5) to the bottom end of the Tie-back. Attach the Lower Clevis Bracket (#7) to the Lower Clevis Rod End (#5) and insert the Clevis / Bridge pin (Fig 7).
7. Level the canopy by adjusting nuts and bolts at the lower Tie-back assembly. Clockwise to lower and counter clockwise to raise the front of the canopy. Once level, tighten the nuts to the bottom of the Tie-back (#4) and Lower Clevis Rod End (#5).

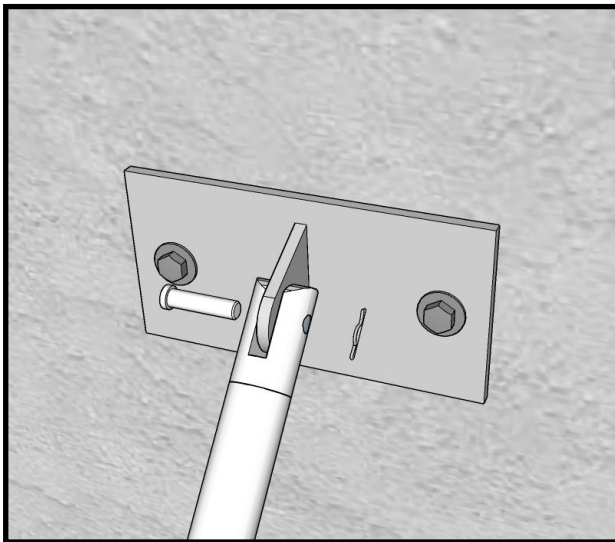


Fig 7

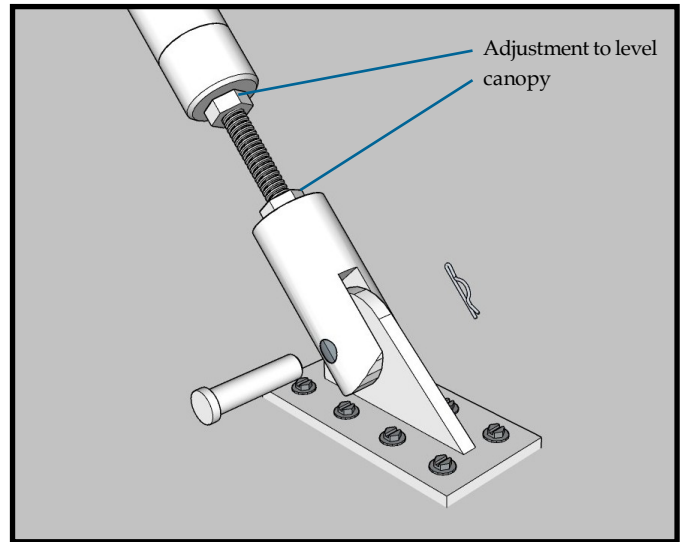


Fig 8

8. If multiple frames are used to complete one canopy run, raise the next frame to the desired height to sit in the Hanging Brackets (#8). Clamp the frames together to ensure good alignment of face channel. Remove a Soffit Panel (#11) on either side of the frame seam to get access to purlins. Bolt frames together (Fig 9). Attach canopy to Hanging Brackets as mentioned above in Step 7.
9. Repeat steps 1-7 until all canopies are level and secured to the building per design.

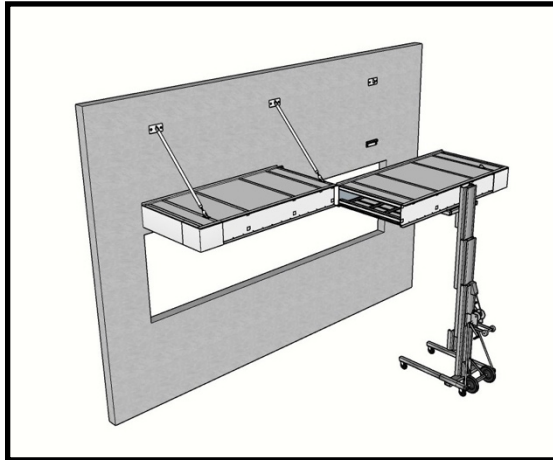


Fig 9

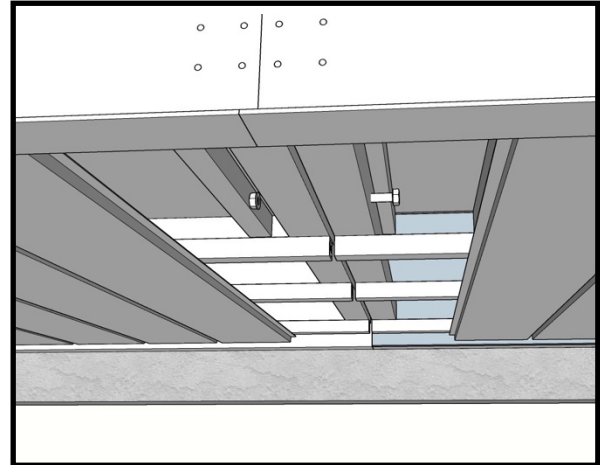


Fig 10

10. Caulk and seal back of canopies to building surface. If a canopy has the 1" rain pan lip, use a dead blow hammer to contour the lip to the building if needed and caulk appropriately. If flashing is pre-sent, install per detail and caulk appropriately. Caulk all seams in canopy that may allow water to penetrate to the bottom side of the canopy.
11. Replace any loose soffit panels.
12. If your canopy comes with a loose face, install the face using #10 x 3/4" flat head Tek screws top and bottom. The last piece will need to be cut to fit.

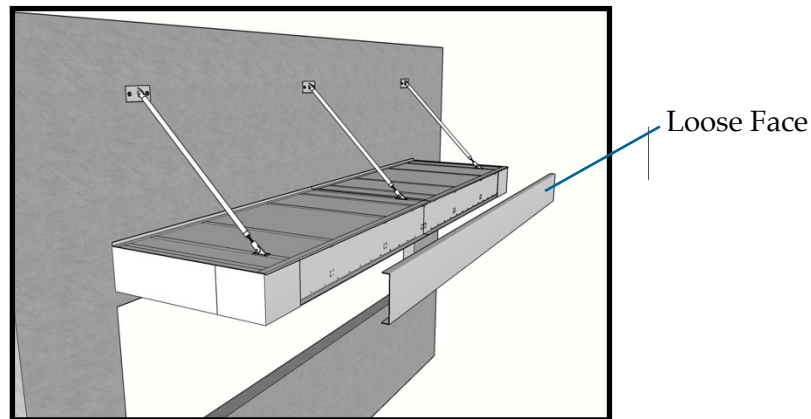
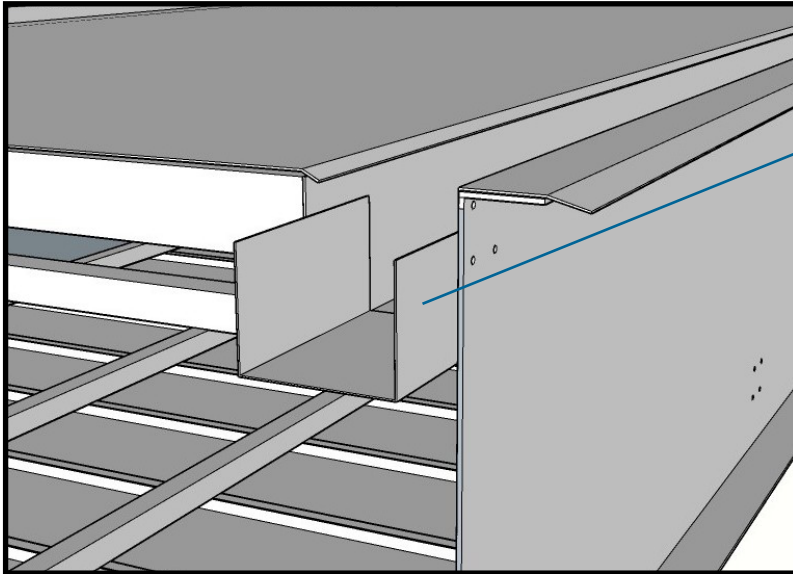


Fig 11

13. Touch up all exposed hardware screws as needed with supplied touchup paint.
14. Wipe down all surfaces removing dirt, smudges and handprints.



Options

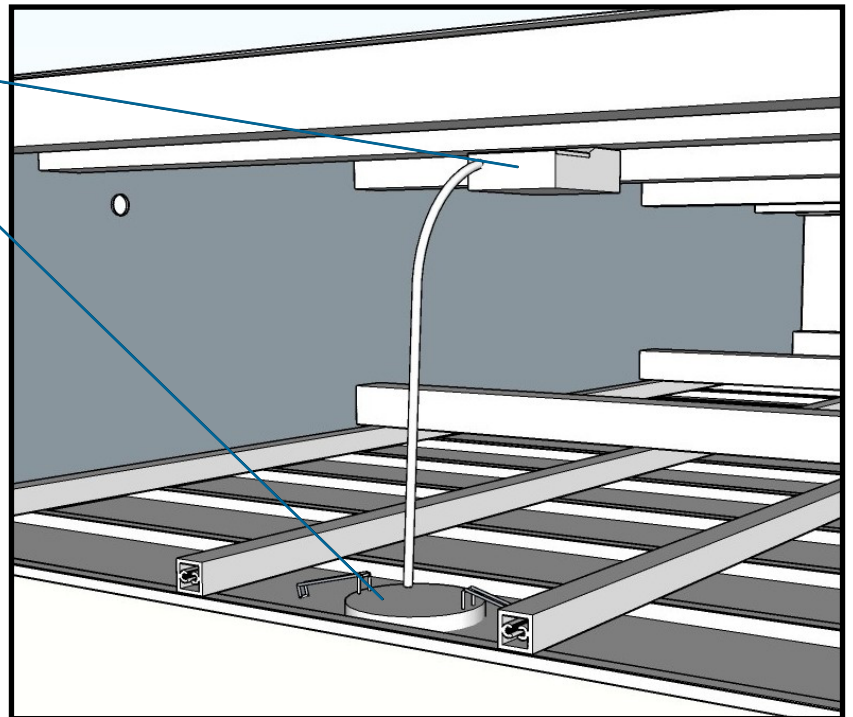


Gutter Splice

Integrated Gutters:

When the Colorado Canopy comes with an integrated gutter, you will need to install a Gutter Splice between frames. Use a generous amount of sealant between the Gutter Splice and the integrated gutter to ensure there will be no leaks at the frame seams.

Power Supply
Can Light



Can Lights:

If part of your scope of work is to provide can lighting, ensure that the GC provides power leads out the building in the correct locations. Drill a 7/8" dia. hole through the back channel for the provided lead. Remove the soffit panel adjacent to the panel accepting the light for easy access. Cut the proper sized hole to accept the light. Mount the power supply to the bottom side of the purlins and connect the power. Replace the soffit panels.