

PROJECT NAME: GUARDIAN	DRAWING NAME: GUARDIAN ASSEMBLY	CUSTOMER:	REV	DATE	BY	DESCRIPTION
					MTH	PRODUCTION DRAWINGS

SHIPPING ADDRESS:

CONTRACTOR:

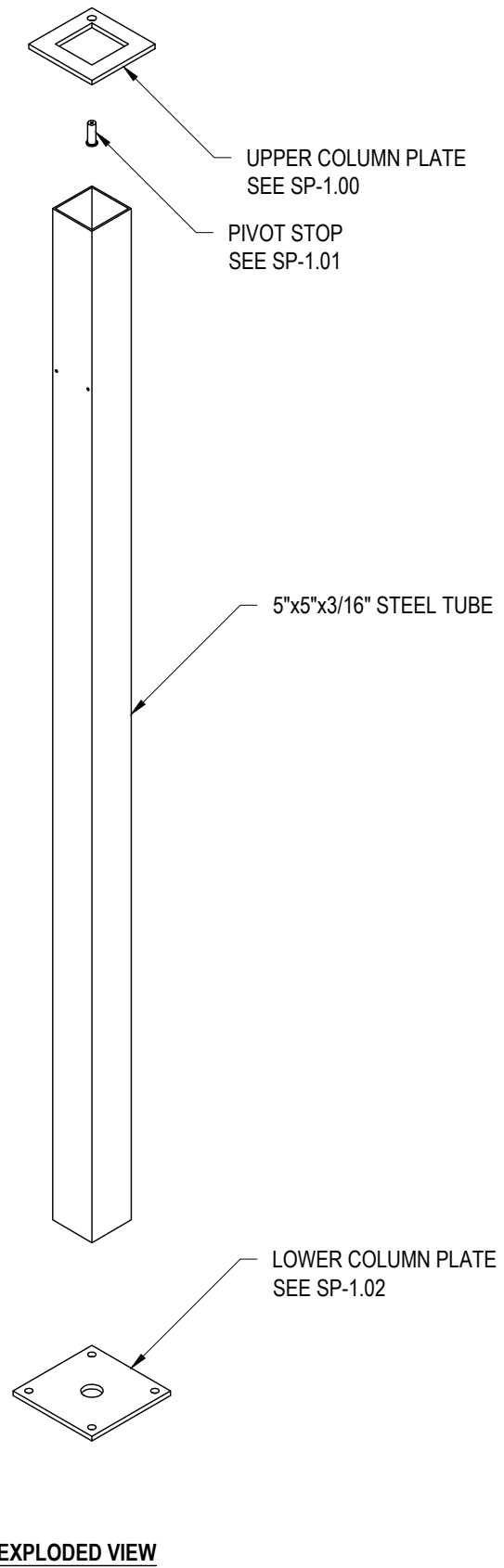
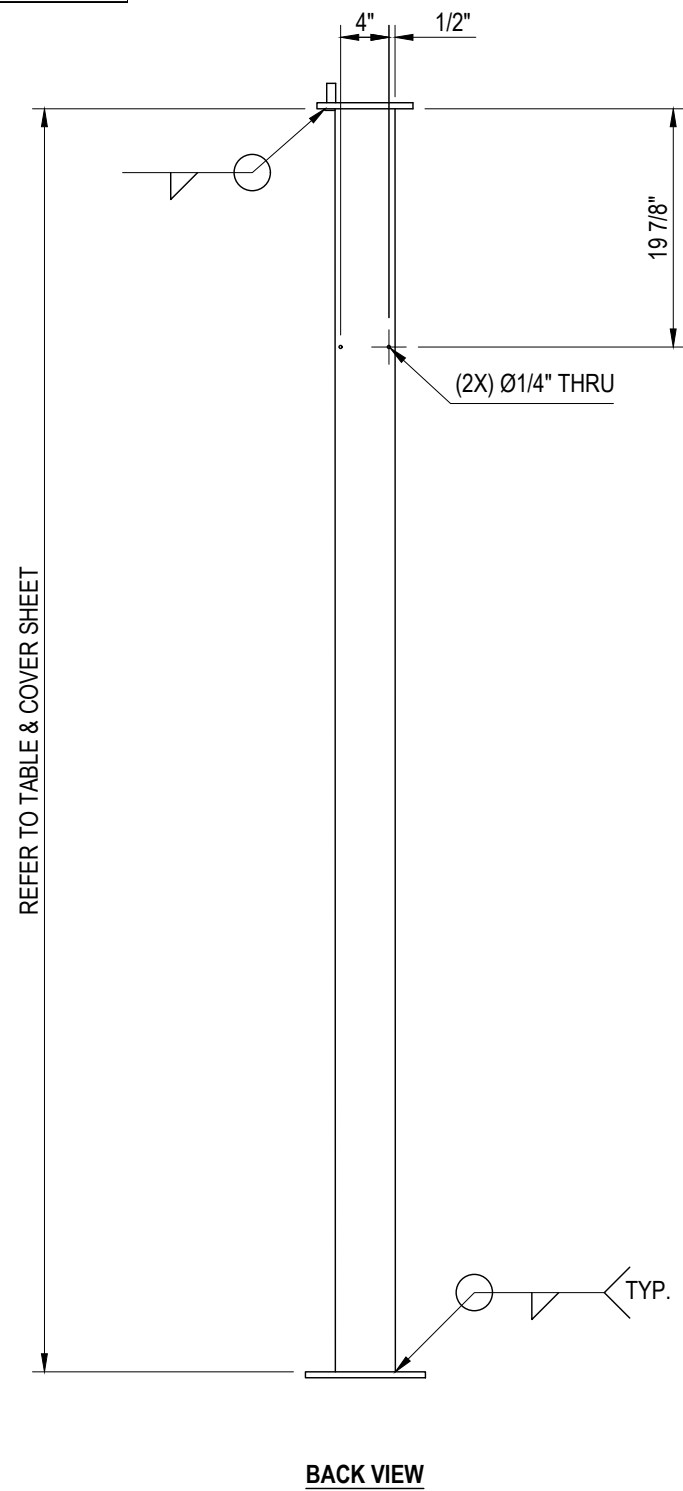
CONTACT: N/A
 PHONE#: N/A
 CELL#: N/A

DWN BY: MTH	CHK BY:	ENG. BY:
----------------	---------	----------

SCALE: 3/8"=1'-0"

SHT. NO: **P-1.00**

CONFIGURATION	CLR. W/ CURB	CLR. NO CURB	TUBE LENGTH
A	8'-0"		81.25
B	8'-6"	8'-0"	87.25
C	9'-0"	8'-6"	93.25
D	9'-6"	9'-0"	99.25
E	10'-0"	9'-6"	105.25
F	10'-6"	10'-0"	111.25



AWNEX^{inc}
 Architectural Branding Elements
 Ball Ground, Ga. 30107
 www.awnexinc.com
 Ph. 770-704-7140 Fax 770-704-7647

PROJECT NAME:		DRAWING NAME:		CUSTOMER:	
GUARDIAN		FRONT ENTRY ELEVATION			
REV	DATE	BY	DESCRIPTION		
		MTH	PRODUCTION DRAWINGS		

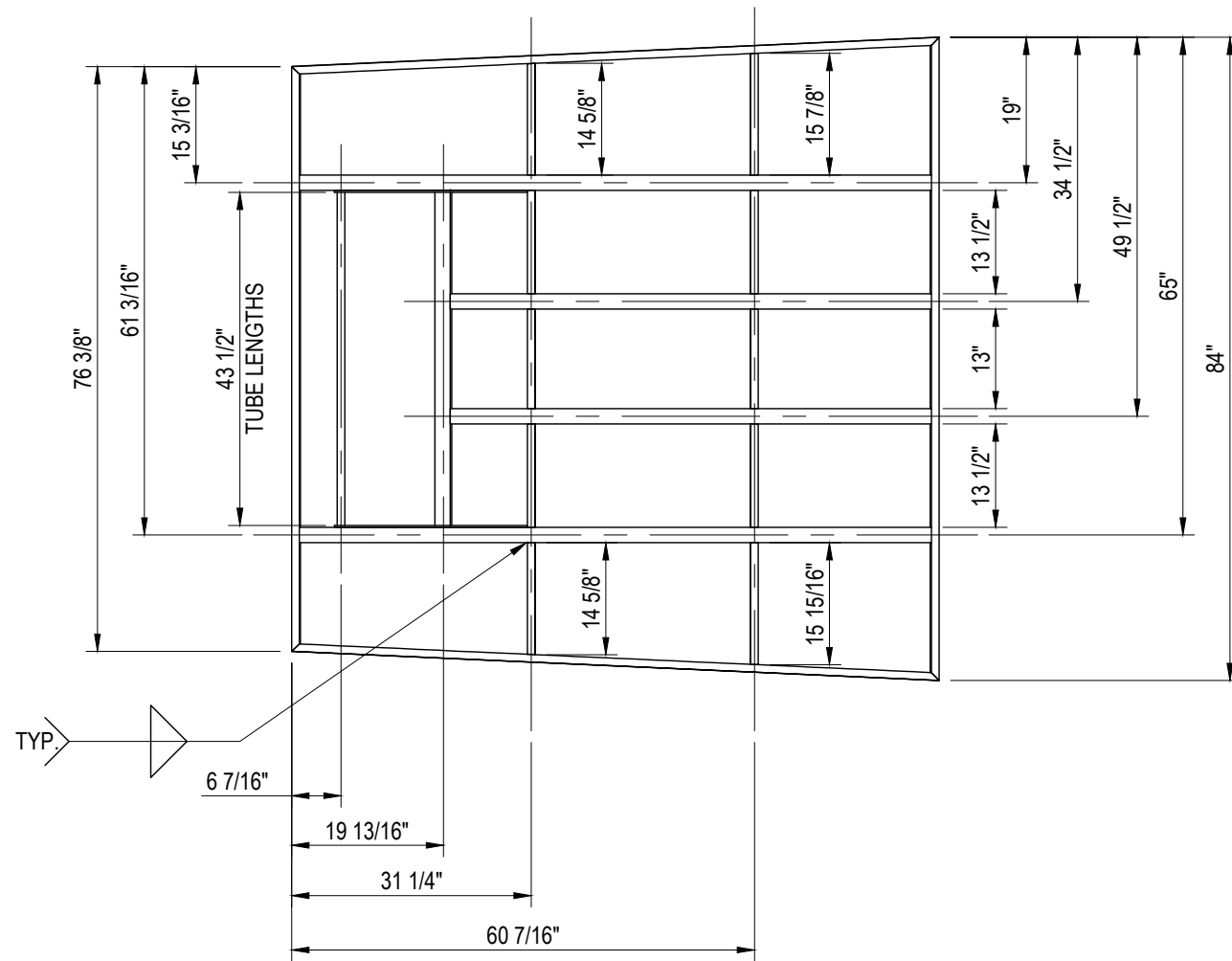
SHIPPING ADDRESS:

CONTRACTOR:

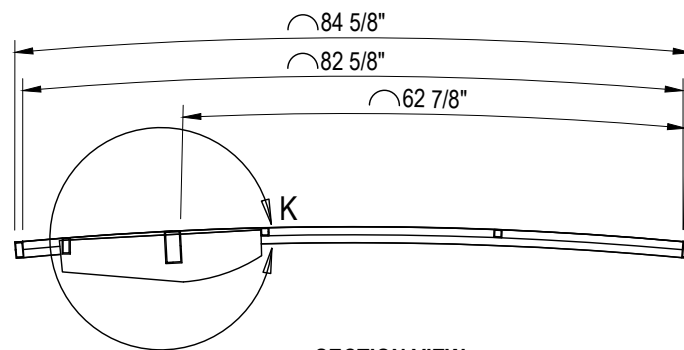
CONTACT: N/A
 PHONE#: N/A
 CELL#: N/A

DWN BY:	CHK BY:	ENG. BY:
MTH		
SCALE: 3/4"=1'-0"		
SHT. NO: P-2.00		

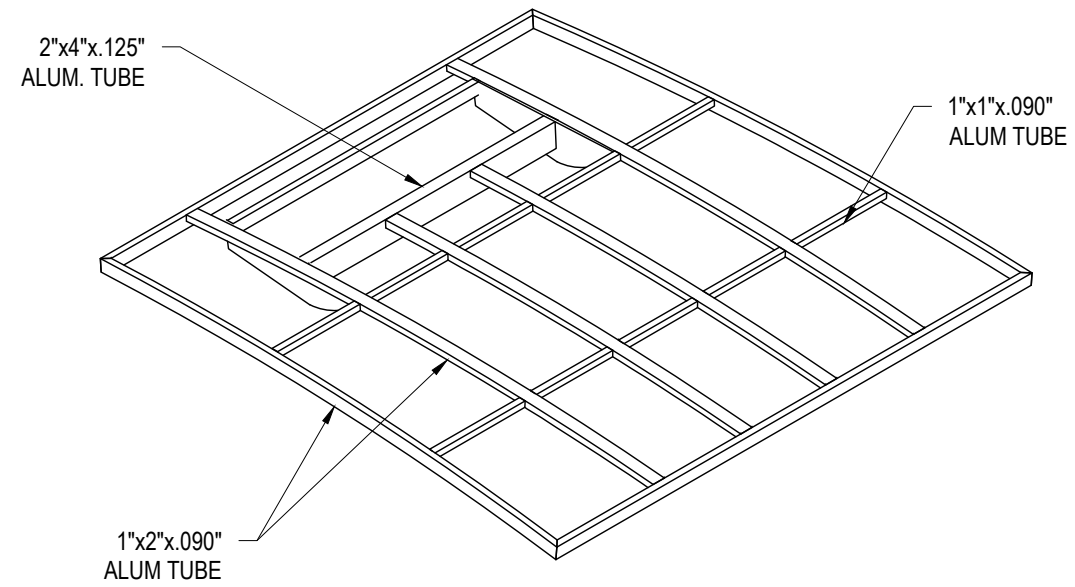
Reproduction of this document without the written authorization of AWNEX, Inc. is strictly prohibited. Copyright 2020 AWNEX, Inc.



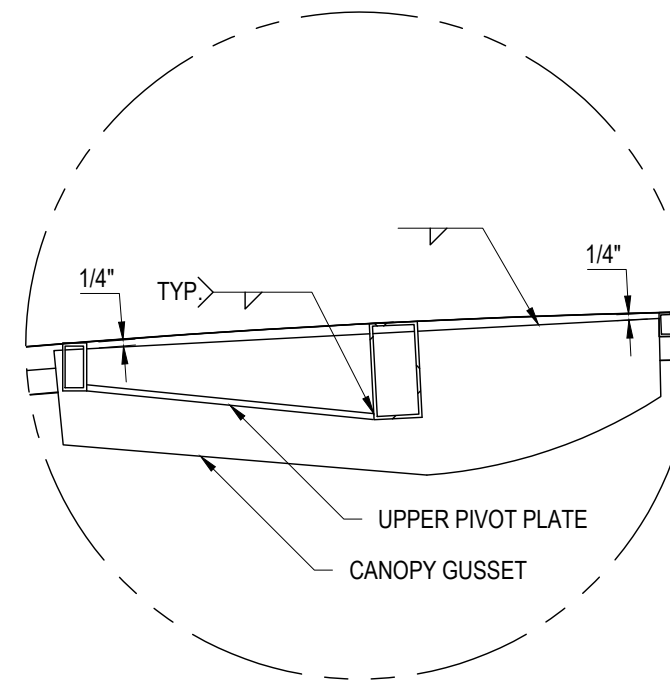
TOP VIEW



SECTION VIEW



ISOMETRIC VIEW



DETAIL K
 SCALE: 1 1/2"=1'-0"

**GUARDIAN
 FRAME LAYOUT**

PROJECT NAME:

DRAWING NAME:

CUSTOMER:

REV	DATE	BY	DESCRIPTION
		MTH	PRODUCTION DRAWINGS

SHIPPING ADDRESS:

CONTRACTOR:

CONTACT: N/A
 PHONE#: N/A
 CELL#: N/A

DWN BY: MTH	CHK BY:	ENG. BY:
----------------	---------	----------

SCALE: 1/2"=1'-0"

SHT. NO: **P-4.02**