



Our NEW Pittsburgh System offers a smaller 6" face option with an integrated gutter and adaptable scupper and outlets around the entire perimeter. With a smooth, flush finished underside our Pittsburgh System offers a great look at a lower cost. Powder coated in any of our standard colors or to match any color, the Pittsburgh is a great new addition to our canopy family. **Made in the U.S.A.**



## STANDARD SIZES

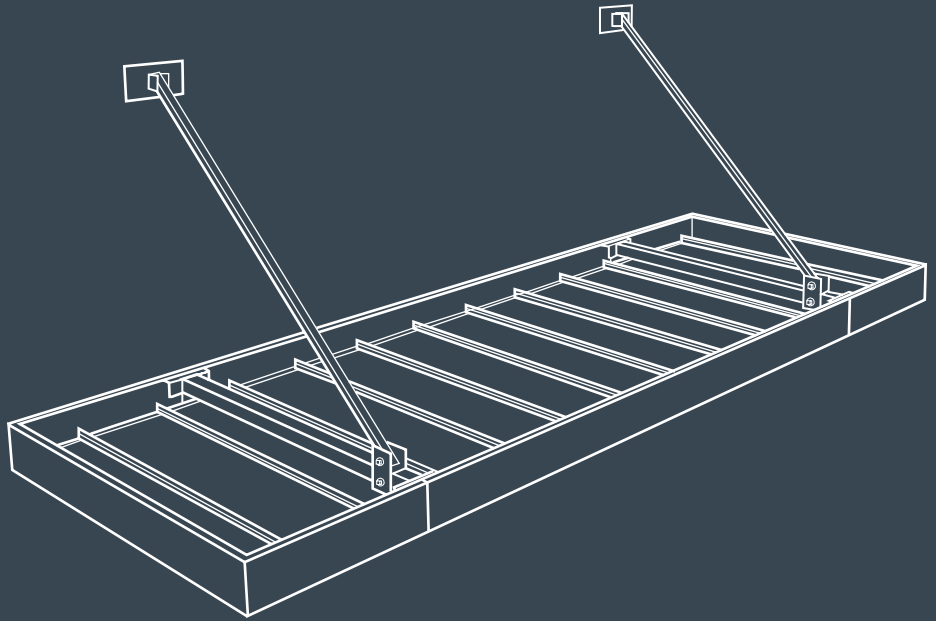
- Projection: up to 6'
- Face: 6" and 8"
- Frame Width: 48" - 176"
- Tie-Back Spacing: 88"
- Tie-Back Height: Flexible
- Tie-Back Rod: 1" Square
- Upper Clevis Bracket: 8" or 10" wide depending on building construction

## INTEGRATED GUTTER

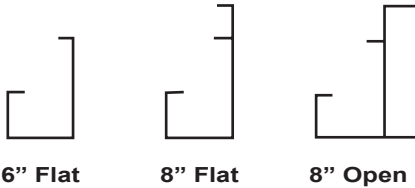
The Pittsburgh offers integrated gutter and adaptable scuppers or outlets around the entire perimeter.

## HIGH WIND/SNOW LOAD

- Tie-Back Rod: 1" Square
- Upper Clevis Bracket: 10" Wide

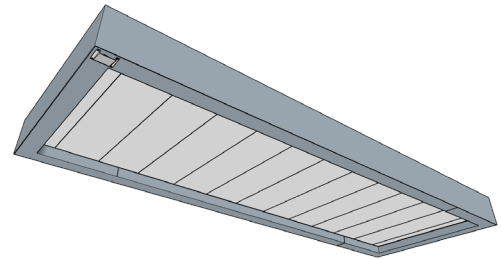


## FACE OPTIONS



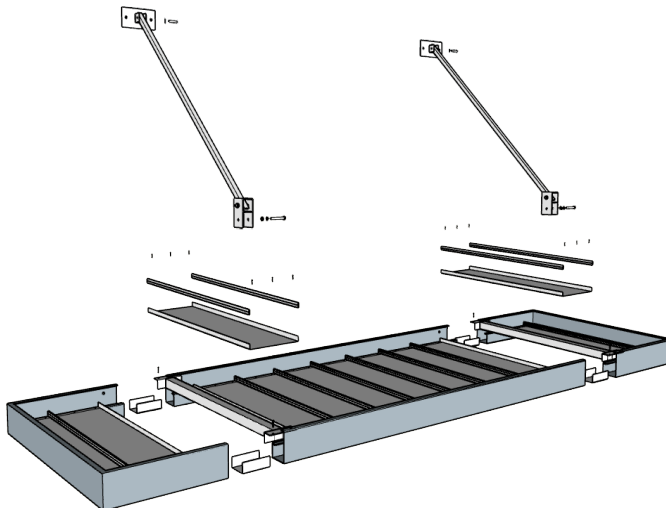
\*CUSTOM FACES AVAILABLE UPON REQUEST

## BOTTOM DETAIL



SMOOTH SOFFIT LOOK BENEATH

## EXPLODED VIEW



INTEGRATED GUTTER AND  
ADAPTABLE SCUPPERS AND  
OUTLETS AROUND THE ENTIRE  
PERIMETER