



Our NEW Pittsburgh System offers a smaller 6" face option (up to 12" face) with an integrated gutter and adaptable scupper and outlets around the entire perimeter. We can offer a cantilevered option with a face at least 10" and optional LED Light strip. With a smooth, flush finished underside our Pittsburgh System offers a great look at a lower cost. Powder coated in any of our standard colors or to match any color, the Pittsburgh is a great new addition to our canopy family. **Made in the U.S.A.**



STANDARD SIZES

- Projection: up to 6'
- Face: 6" up to 12"
- Frame Width: 48" - 176"
- Tie-Back Spacing: 88"
- Tie-Back Height: Flexible
- Tie-Back Rod: 1" Square
- Upper Clevis Bracket: 8" or 10" wide depending on building construction

CANTILEVERED

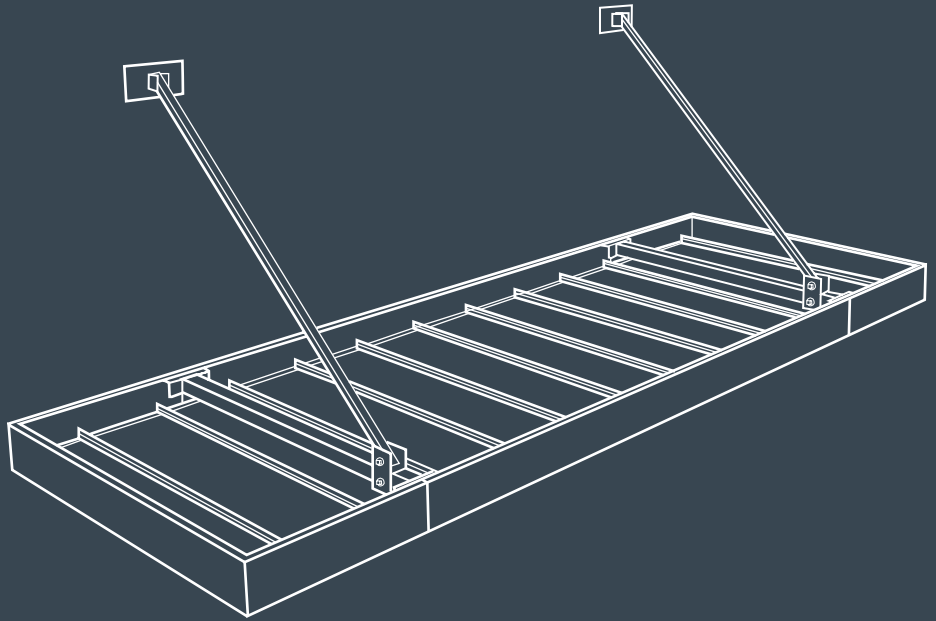
The Pittsburgh system can be cantilevered with at least a 10" face.

INTEGRATED GUTTER

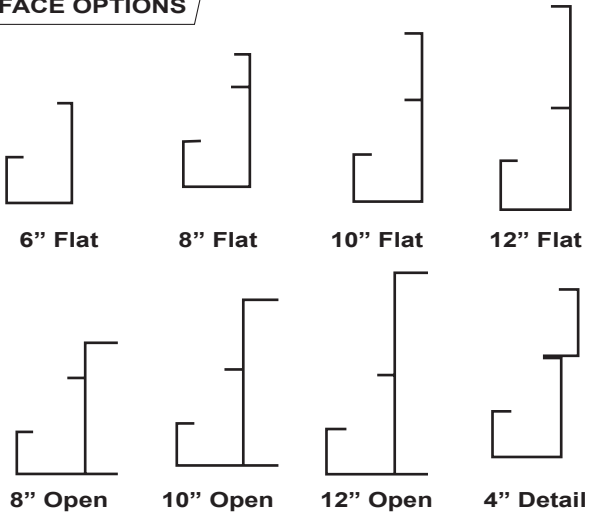
The Pittsburgh offers integrated gutter and adaptable scuppers or outlets around the entire perimeter.

HIGH WIND/SNOW LOAD

- Tie-Back Rod: 1" Square
- Upper Clevis Bracket: 10" Wide

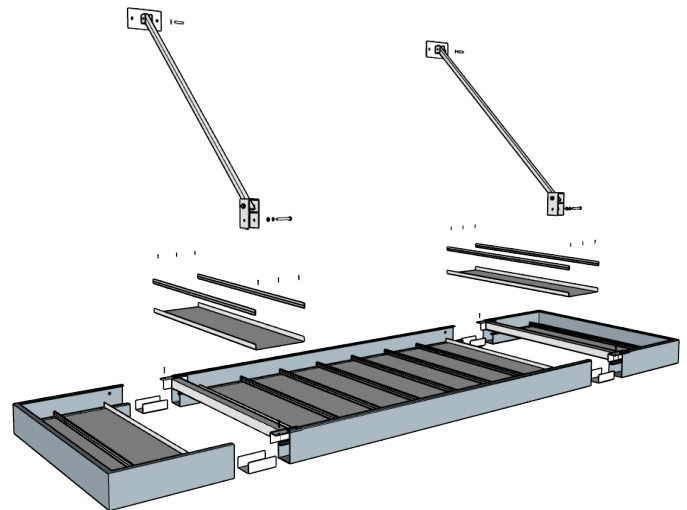


FACE OPTIONS



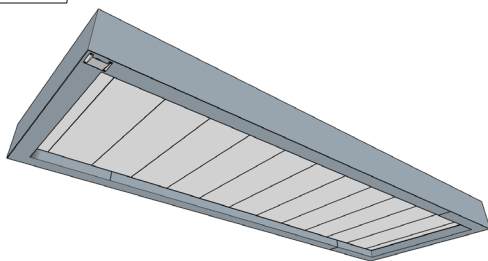
CUSTOM FACES AVAILABLE UPON REQUEST

EXPLODED VIEW

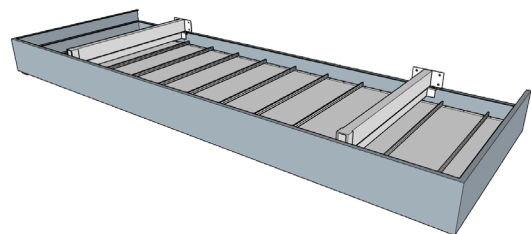


INTEGRATED GUTTER AND ADAPTABLE SCUPPERS AND OUTLETS AROUND THE ENTIRE PERIMETER.

STYLE OPTIONS



SMOOTH SOFFIT LOOK BENEATH



CANTILEVERED OPTION