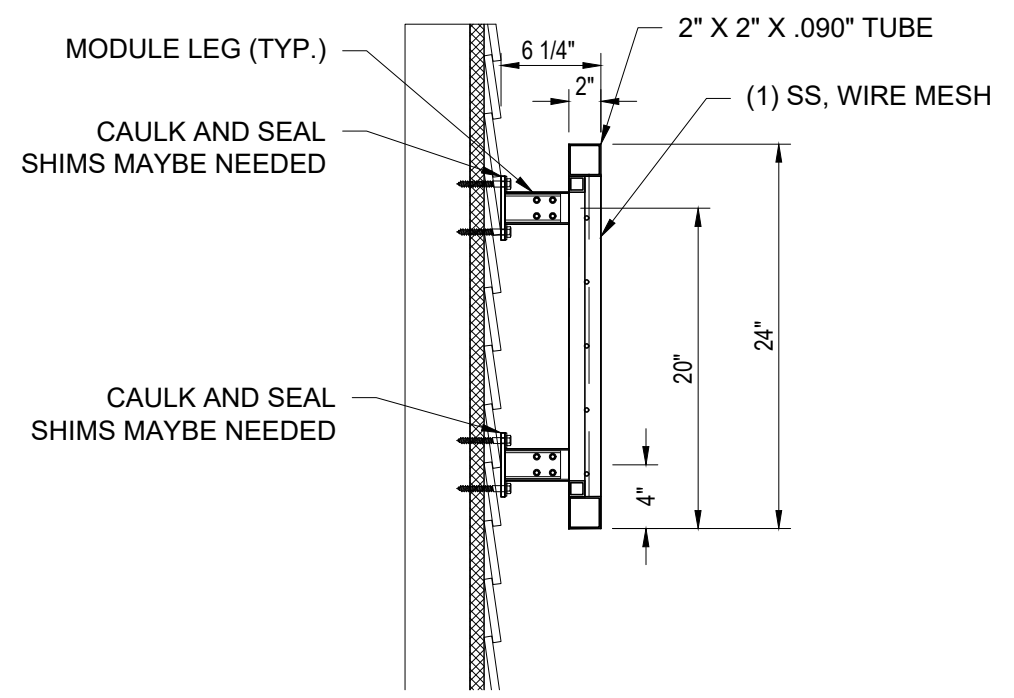


SECTION A-A
BRICK WALL



SECTION A-A
SIDING WALL

PROJECT NAME: AWNEX - GREEN SCREEN - 48"x24"		DESCRIPTION	
DRAWING NAME: INSTALLATION SECTION		PRODUCTION	
CUSTOMER:		BY	
REV	DATE	DRD	
	11/30/20		

SHIPPING ADDRESS:
 AWNEX, INC
 IN-HOUSE

CONTRACTOR:
 N/A
 CONTACT: N/A
 PHONE: N/A

TOLERANCES U.N.O.
 X/XX = ± 1/8"
 .XX = ± .03"
 .XXX = ± .005"

DWN BY:	CHK BY:	ENG. BY:
DRD	--	---

SCALE: 1"=1'-0"

SHT. NO: **I-1.00**