

STANDARD SHUTTER

PANEL HEIGHT: 44"

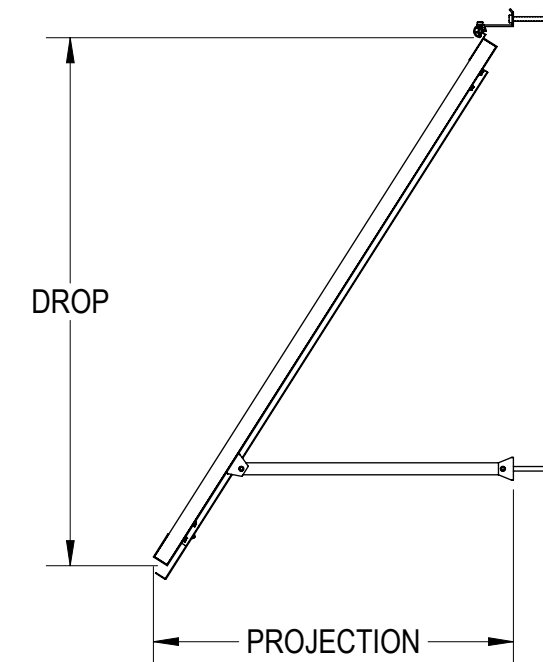
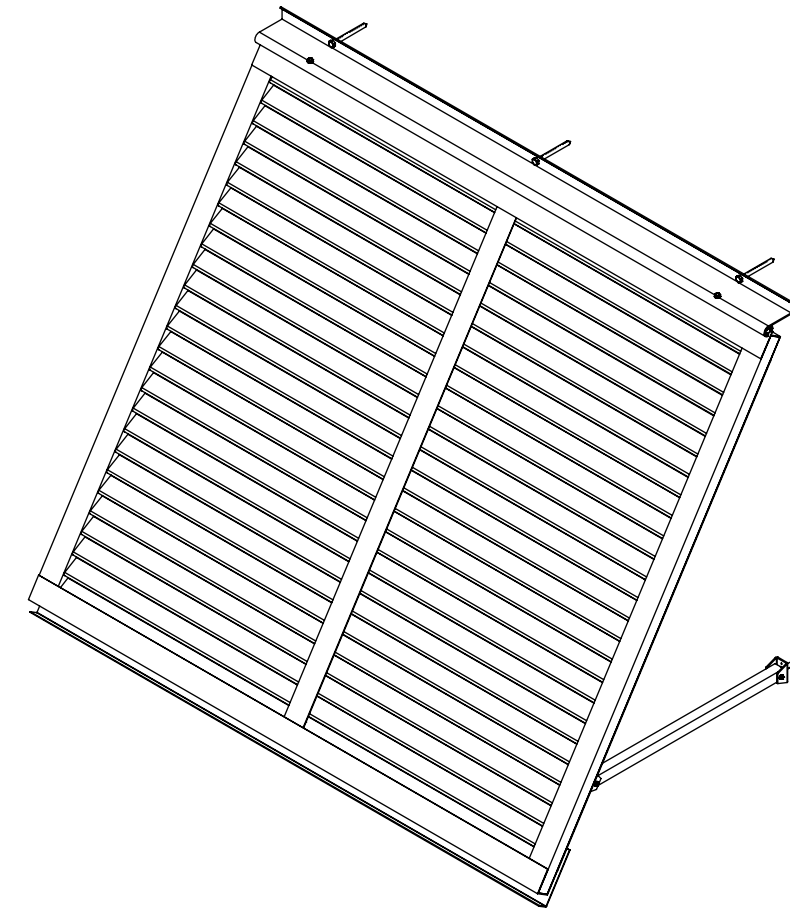
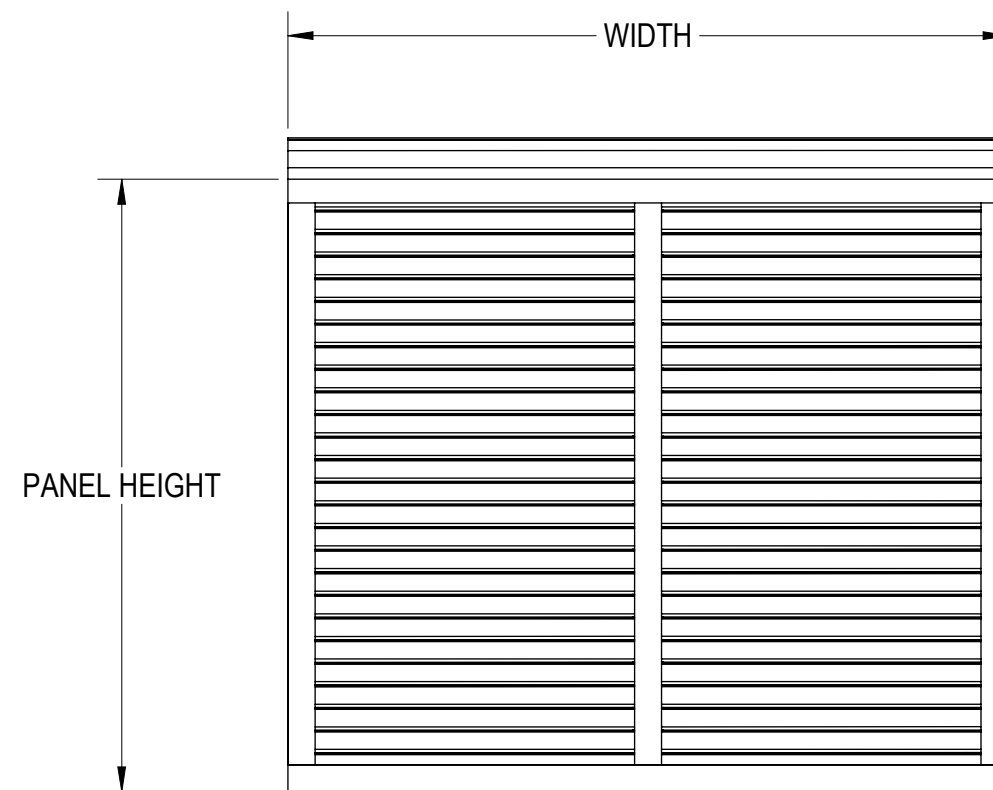
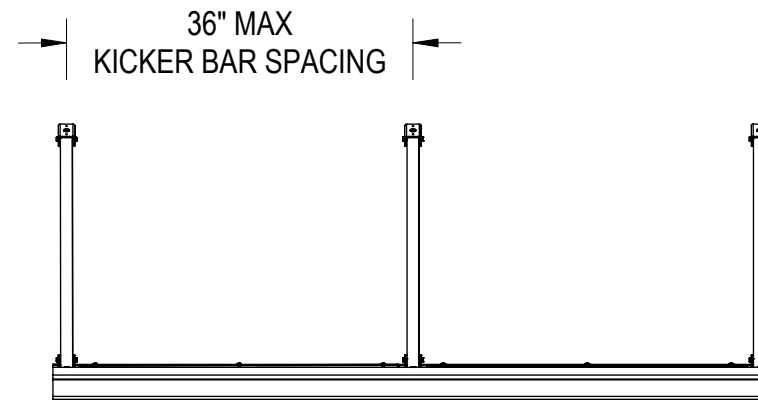
PANEL WIDTH: 40", 60", 72", 76", 88", 108"

OPTIONS

RAIN PAN: SHOWN

CUSTOM WIDTH: 120" (MAX HEIGHT 60")

CUSTOM HEIGHT: 96" (MAX WIDTH 72")



Ball Ground, Ga. 30107
www.awnexinc.com
Ph. 770-704-7140 Fax 770-704-7647

SHUTTERS PROVIDE
FUNCTIONAL SHADE
AND BRANDING
ELEMENT

DRAWING NAME: TYPICAL CARIBBEAN SHUTTER

| REV | DATE | BY | DESCRIPTION |
|-----|---------|----|-----------------|
| A | 1/17/23 | MP | INITIAL RELEASE |
| | | | |
| | | | |
| | | | |
| | | | |

DESIGN NOTES:

- 100% ALUMINUM
- AAMA APPROVED POWDERCOAT
- DELIVERED ASSEMBLED

| | | |
|---------------|---------------|----------|
| DWN BY: MP | CHK BY: JB | ENG. BY: |
|---------------|---------------|----------|

SCALE: 1:16

SHT. NO:
P-1.00